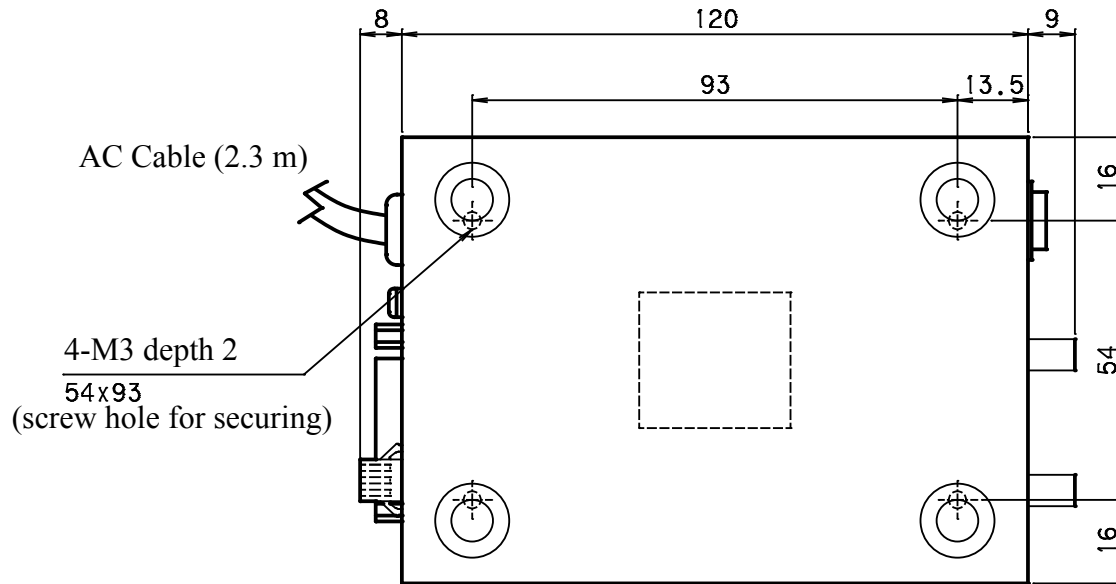


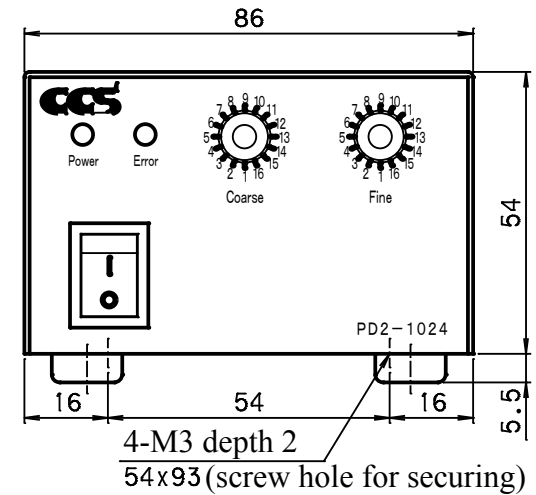
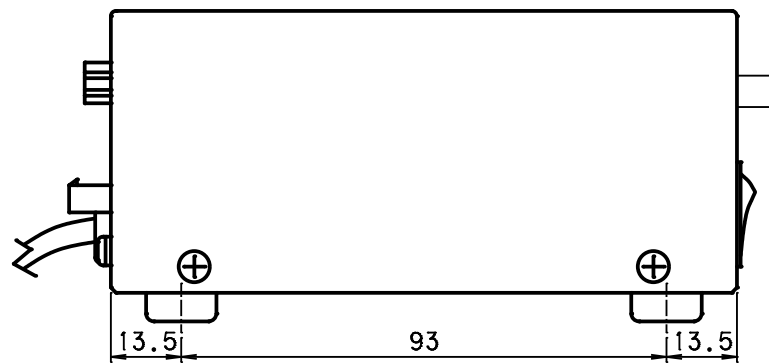
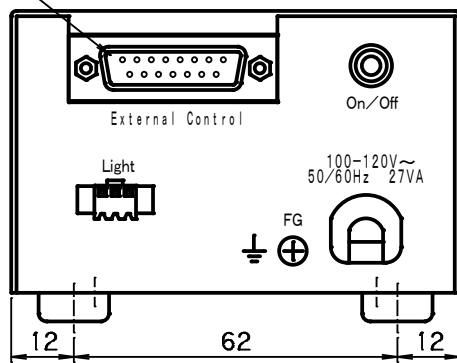
PD2-1012(A)

Model name	PD2-1012(A)
Input voltage(rating)	100 to 120VAC
Power consumption	27 VA
Output connector	2P (1: +, 2: -) x1
Weight	700g

Units: mm



External control connector
D-Sub 15pin



*For the 12 V type PD2-1012(A), the light connector is 2-pin.