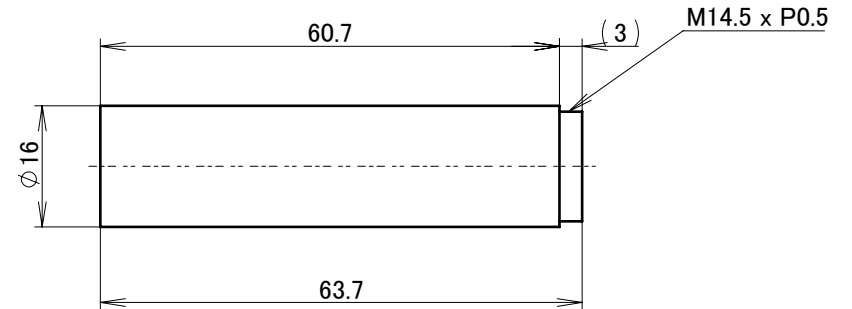
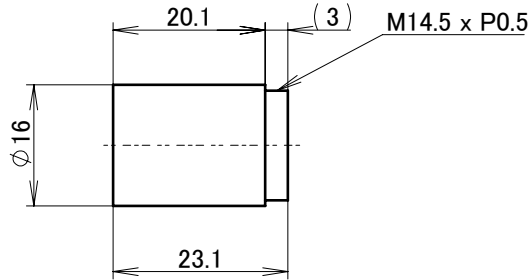
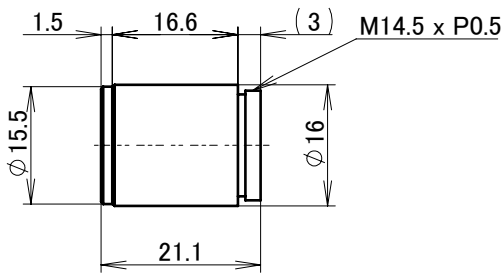
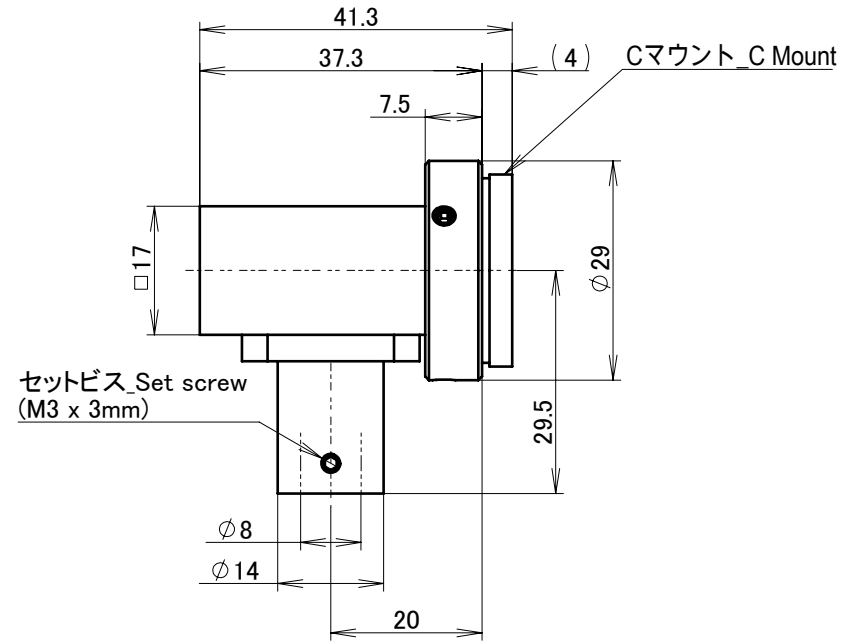
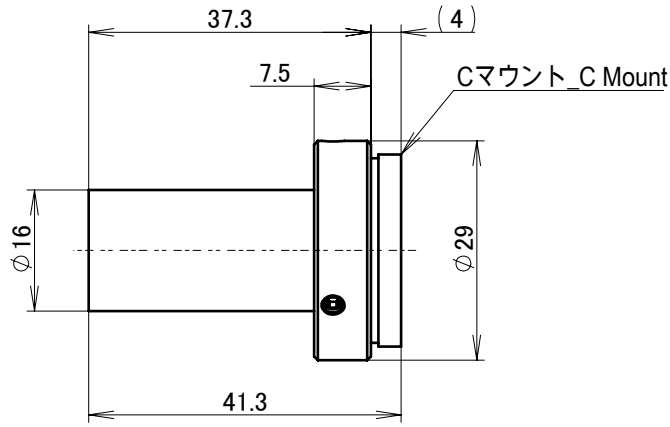


A

B

C

D



UNIT:mm

000			
REVISION	DATE	DESCRIPTION	REVISED

ISSUE DATE	SCALE	APPROVED	NAME
2023/01/25	1:1	T.OSAWA	SE-16MS
	SHEET SIZE	CHECKED	DRAWING NAME
	A4	D.OSHIMA	外観図_Outline
	DESIGNED		
PROJECTION		DRAWN	DRAWING No.
		T.MUNE	UA01342-G
			REVISION SHEET
		000	01/01