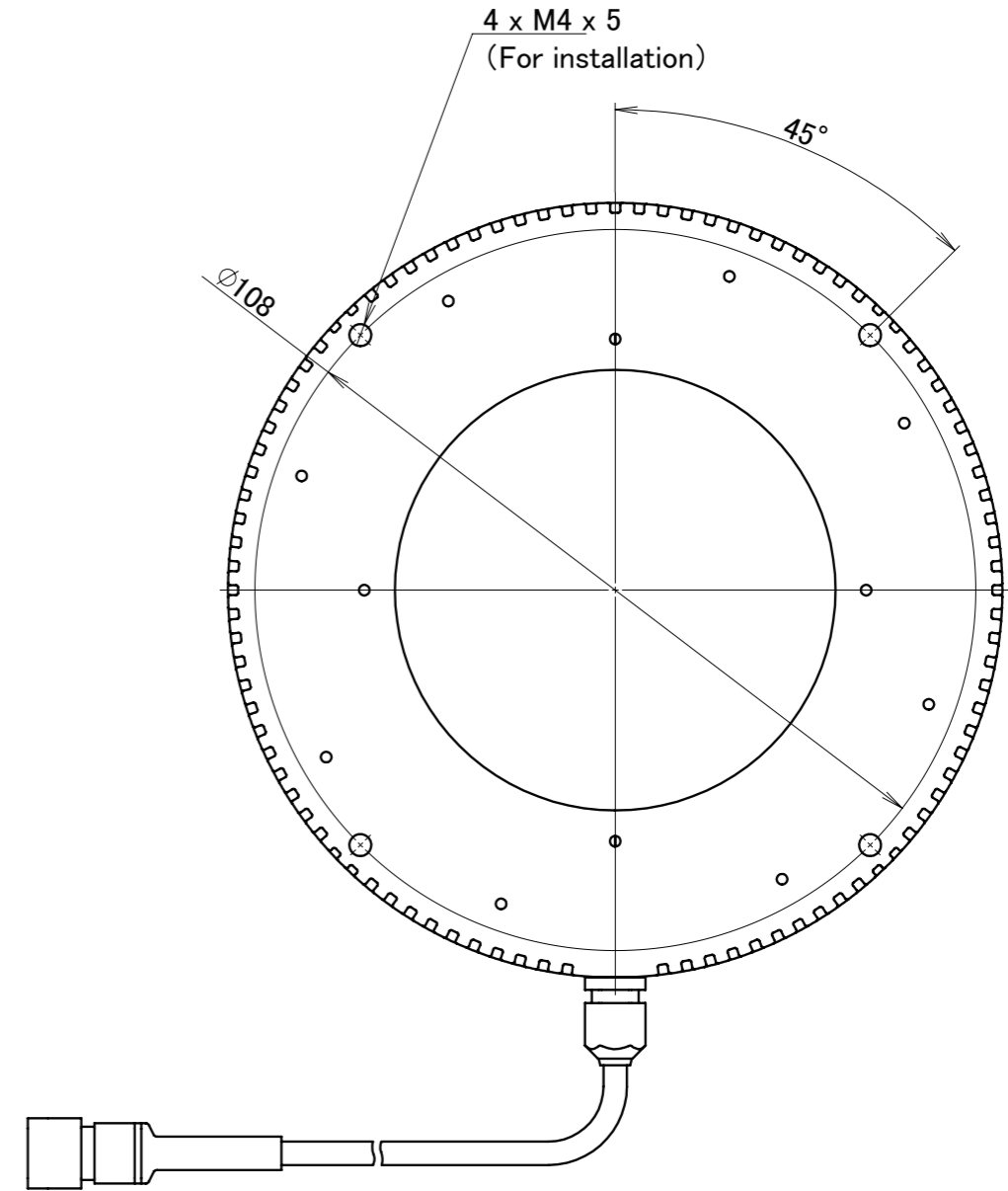
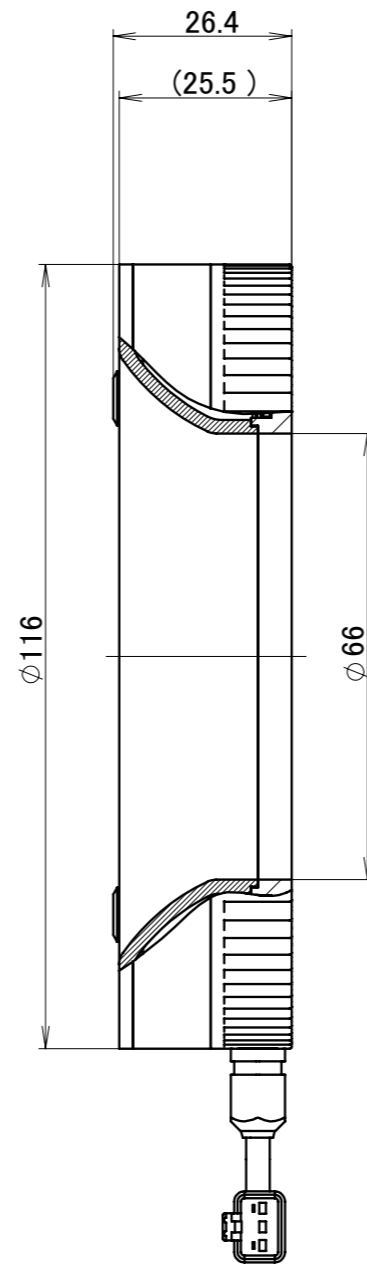
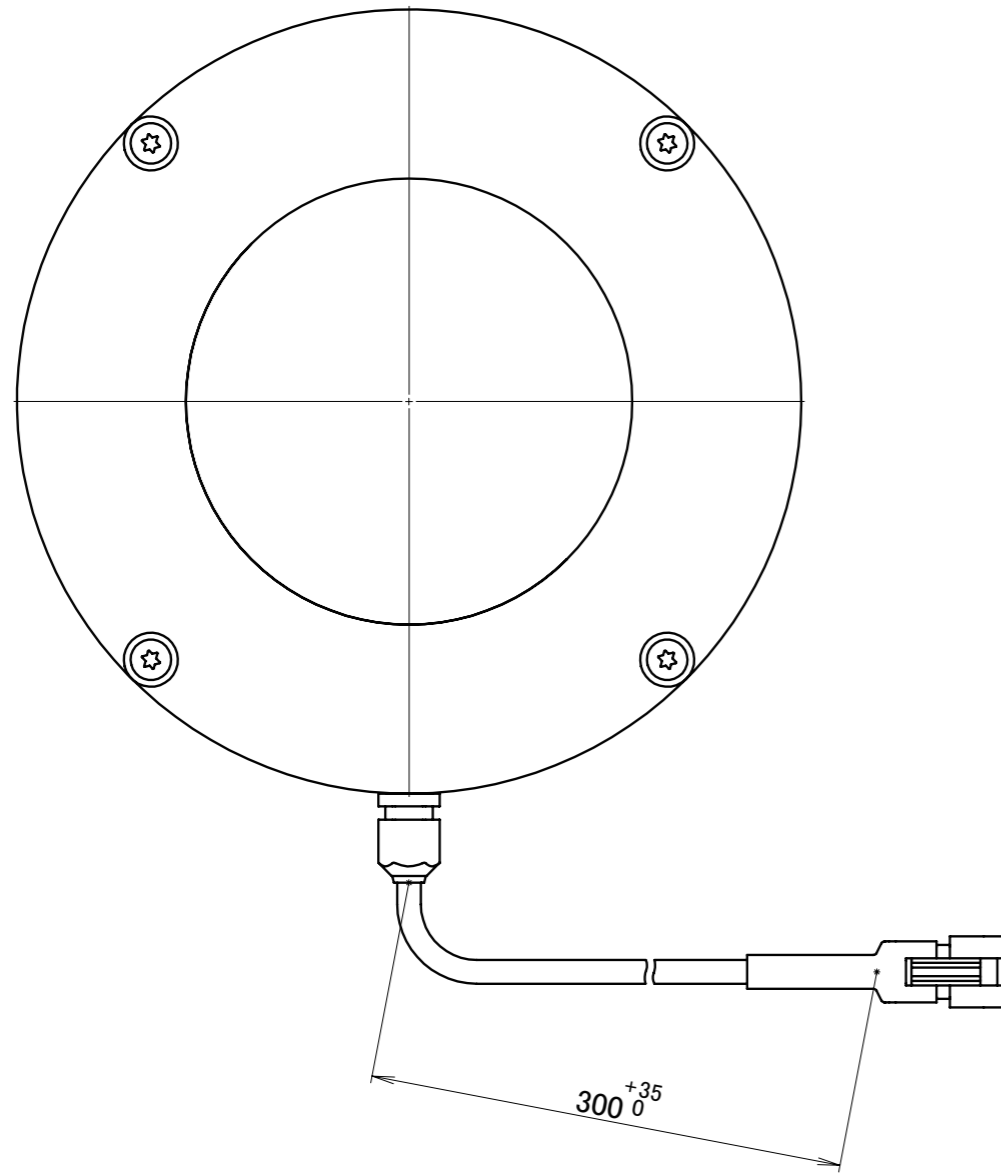


HPR2-100IR105/HPR2-100IR120
 HPR2-100IR130/HPR2-100IR145
 HPR2-100IR155/HPR2-100IR165



Model	Power consumption
HPR2-100IR105	13W max.
HPR2-100IR120	11W max.
HPR2-100IR130	10W max.
HPR2-100IR145	8.6W max.
HPR2-100IR155	8.6W max.
HPR2-100IR165	8.6W max.

Input Voltage : DC 24V
 Power Consumption : Table reference
 Mass : 0.17kg(Approx.)