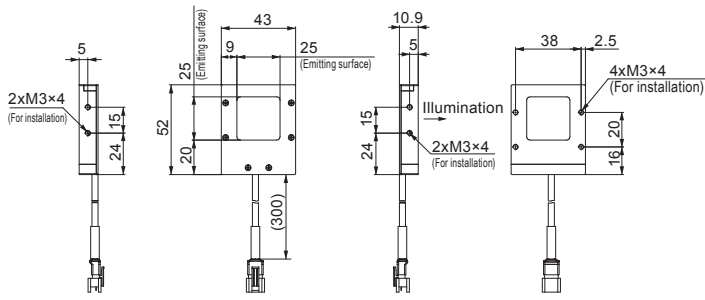


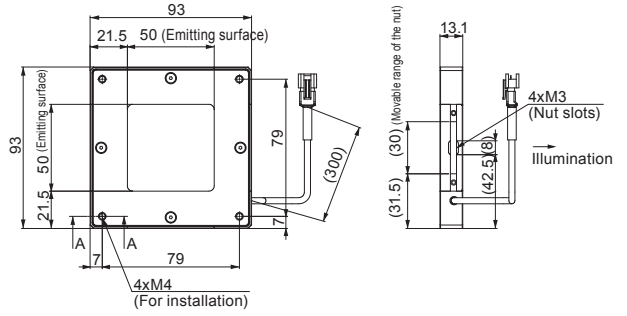
Dimensions (mm)

LFX3-25RD/SW/BL/IR860

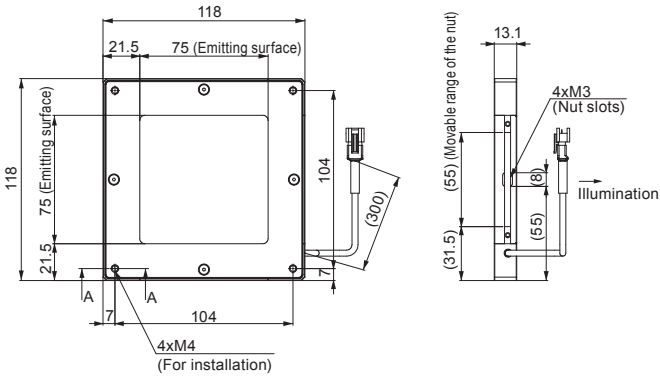


The holes for installation are on the light projection side surface of the Light Unit.
The LFX3-25-series Light Units do not have nut slots.

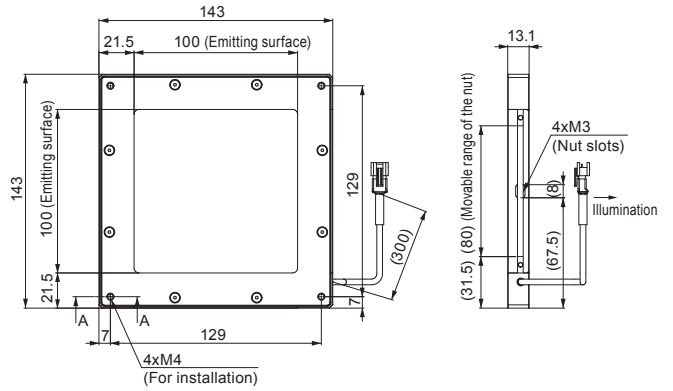
LFX3-50RD/SW/BL/IR860



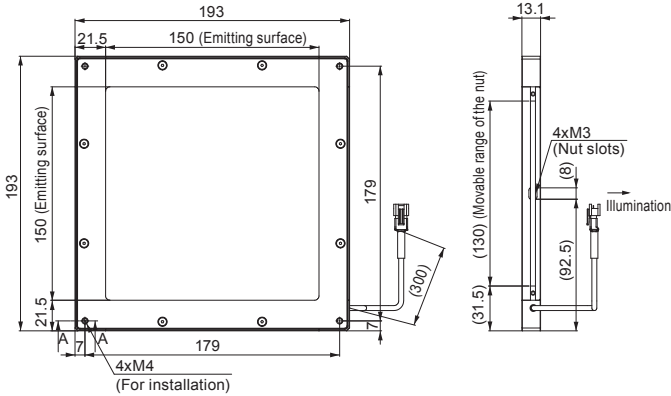
LFX3-75RD/SW/BL/IR860



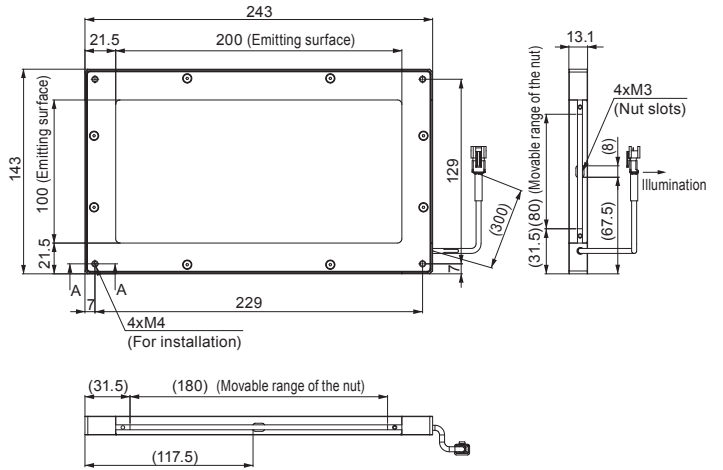
LFX3-100RD/SW/BL/IR860



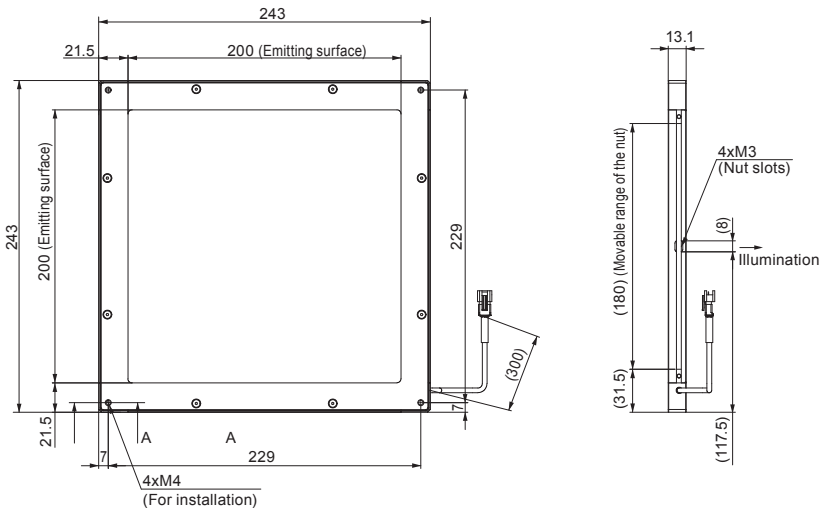
LFX3-150RD/SW/BL/IR860



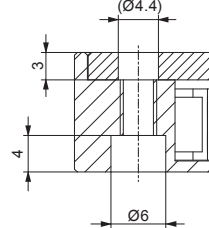
LFX3-200X100RD/SW/BL/IR860



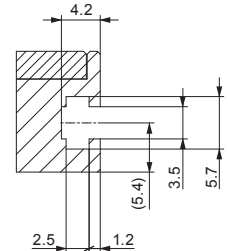
LFX3-200RD/SW/BL/IR860



Detail Diagram for the A-A Surface



Detail Diagram for the M3 Nut Slot



Note: These detail diagrams are not applicable to the LFX3-25-series Light Units.