

IP67 Compliant Products

IQ series



Input voltage	24 VDC
Cable length	0.5 m
Input connector	M12 male 4 pins connector
Polarity & signal	1: + (Brown), 2: NC(White), 3: - (Blue), 4: Signal(Black)
ON/OFF	ON: 0V, OFF: 24V
Wavelength(typ.)	Red: 630 nm, White: 6,000 K
Operating temperature and humidity	Temperature: 0 to 40°C, Humidity: 20% to 100% , IP67
Storage temperature and humidity	Temperature: -20 to 60°C, Humidity: 20% to 85%RH (with no condensation)
Cooling method	Natural air cooling
Cooling method	Photo-coupler input, Input current 5 mA or more, Over 20 μ s pulse width, Rise/fall time 10 μ s max.
Delay time	Max. 10 μ s (Trigger input - Strobing)



Model specifications

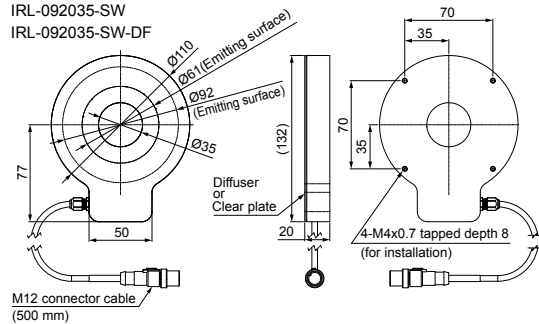
Type	Model name	LED color	Type of lighting	Power consumption (max.)	Weight (max.)
Ring Light	IRL-092035-63	Red	Direct	6 W	400 g
	IRL-092035-63-DF		Diffused		
	IRL-092035-SW	White	Direct	7 W	
	IRL-092035-SW-DF		Diffused		
Bar Light	IBR-150030-63	Red	Direct	6 W	400 g
	IBR-150030-63-DF		Diffused		
	IBR-150030-SW	White	Direct	8 W	
	IBR-150030-SW-DF		Diffused		
Flat Light	IBL-080080-63-DF	Red	Diffused	8 W	420 g
	IBL-080080-SW-DF	White	Diffused	12 W	



Dimensions (mm)

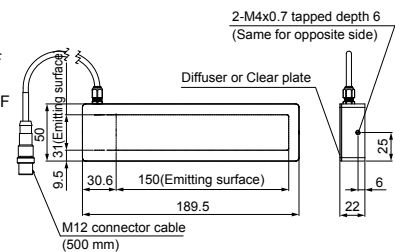
Ring Light

IRL-092035-63
IRL-092035-63-DF
IRL-092035-SW
IRL-092035-SW-DF



Bar Light

IBR-150030-63
IBR-150030-63-DF
IBR-150030-SW
IBR-150030-SW-DF



Flat Light

IBL-080080-63-DF
IBL-080080-SW-DF

