

Flat Dome Lights

LFX2 series

Refer to our website for product details.

CCS LFX2

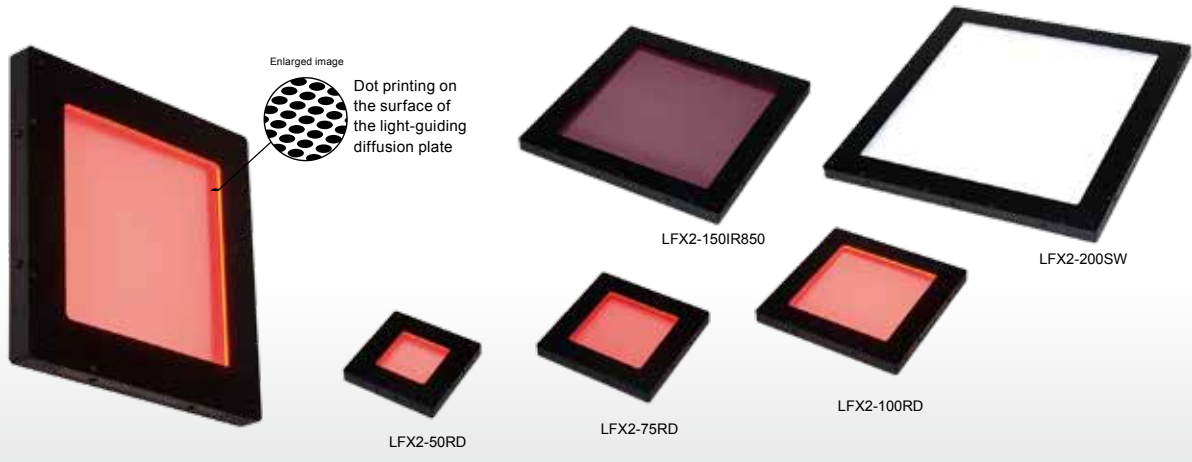
Search



You can also use your smartphone or cell phone.

For quick access.

Recreates the effect of a Dome Light with a thin case design

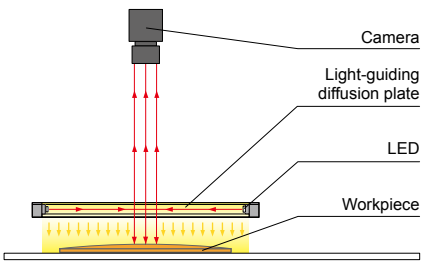


Applications Inspection for the exterior/text on metal surfaces, curved surfaces, or uneven surfaces; mixed foreign materials inspection for food and medicine; character recognition for packaging; inspection for text on can surfaces; etc.

Features

The dot pattern on the surface of the light-guiding diffusion plate controls the diffusion and transmission of the illuminated light. This product can illuminate uniform diffused light onto the workpiece.

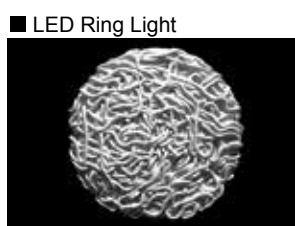
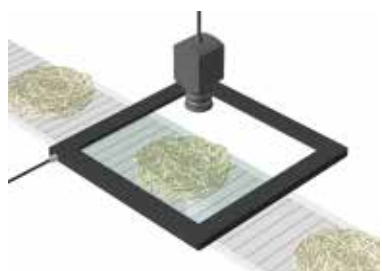
Example configuration (LFX2-100)



We accept custom orders. Please feel free to inquire.

- Shape modifications
- Brightness increases
- Changes in wavelength, etc.

Imaging example : Imaging of foreign materials mixed in instant noodles



Due to effect from the unevenness and small bumps on the surface, it is difficult to get an image of the foreign material.

Effect from the unevenness and small bumps on the surface is reduced, allowing for an image of the foreign material.

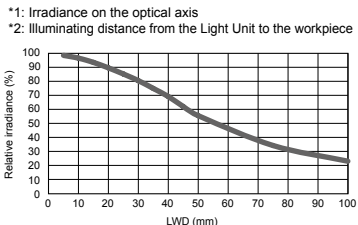
* This workpiece was processed by CCS for sample imaging.

Data: Relative irradiance graph and uniformity (Representative example)

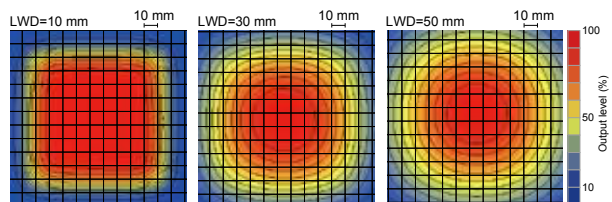
The data included is for reference only. Actual values may vary.

LFX2-100SW

Relative irradiance graph (LWD Characteristics)^{*1}



Uniformity (Relative irradiance)



LDR2	Direct Lighting
LDR2-LA	Direct Lighting
LDR-LA1	Direct Lighting
SQR	Direct Lighting
SQR-TP	Direct Lighting
HPR2	Diffused Lighting
LFR	Diffused Lighting
LKR	Diffused Lighting
FPR	Diffused Lighting
FPQ2	Diffused Lighting
LDL2	Direct Lighting
LDLB	Direct Lighting
HDL2	Direct Lighting
HL	Direct Lighting
TH2 (5 types)	Direct Lighting
TH	Direct Lighting
LFL	Direct Lighting
HPD2	Diffused Lighting
LDM2	Diffused Lighting
LAV	Diffused Lighting
PDM	Diffused Lighting
LFX3	Diffused Lighting
LFX3-PT	Diffused Lighting
LFX2	Diffused Lighting
LFV3	Diffused Lighting
MSU	Collimated Lighting
MFU	Collimated Lighting
PF	Strobe Lighting
HLDR-IP/IQ/HSL-PCL	Water-proof
UV2	Ultraviolet Lighting
UV	Ultraviolet Lighting
LNSP-UV-FN	Ultraviolet Lighting
IR2	Infrared Lighting
IU	Intensity Control
HLV2	Spot Lighting, Etc.
LV	Spot Lighting, Etc.
LSP	Spot Lighting, Etc.
HFS/HFR	Spot Lighting, Etc.
HLV2-NR	Spot Lighting, Etc.
HLV2-3M-RGB-3W	Spot Lighting, Etc.
PFB2	Spot Lighting, Etc.
LNL2	Spot Lighting, Etc.
LNLP	Spot Lighting, Etc.
LNSP2	Spot Lighting, Etc.
LNSP	Spot Lighting, Etc.
Coaxial Units	Convergent Lighting
LNFP-FN	Convergent Lighting
LN/LN-HK	Convergent Lighting
LNSD	Convergent Lighting
LND2	Convergent Lighting
HLND	Convergent Lighting
LT	Convergent Lighting
LNV/HLND	Convergent Lighting
LNDG	Convergent Lighting
LNIS	Convergent Lighting
LNIS-FN	Convergent Lighting
Telecentric Lens	Lenses
Macro Lens	Lenses

Various technical documents available.

- PDF Drawings
- DXF Drawings
- 3D CAD
- Instruction Guides
- Product Filers
- Imaging Samples
- Data Sheets
- Examples of Custom Ordered Products

Download here. <http://www.ccs-grp.com/dl/>

Lineup

Model name	LED color	Power consumption	Peak wavelength/ correlated color temperature	Options	Extension cables	Recommended Control Units	Weight
LFX2-50RD	Red	24 V / 11 W	635 nm	-	FCB ^{*4} Straight Cable	PD3 CC-ST-1024	180 g
LFX2-50SW	White	24 V / 6.1 W	6,600 K			PSB POD ^{*1}	
LFX2-50IR850	Infrared	24 V / 6.6 W	850 nm		FCB-W 2-branch Cable	PD3 CC-ST-1024 ^{*2}	270 g
LFX2-75RD	Red	24 V / 11 W	635 nm			PSB POD ^{*1}	
LFX2-75SW	White	24 V / 9.1 W	6,600 K		FCB-F 4-branch Cable	PD3 CC-ST-1024 ^{*2}	350 g
LFX2-75IR850	Infrared	24 V / 14 W	850 nm			PSB POD ^{*1}	
LFX2-100RD	Red	24 V / 16 W	635 nm		FRCB Robot Cable	PD3 CC-ST-1024 ^{*2}	570 g
LFX2-100SW	White	24 V / 13 W	6,600 K			PSB POD ^{*1}	
LFX2-100IR850	Infrared	24 V / 14 W	850 nm		-	PD3	920 g
LFX2-150RD	Red	24 V / 21 W	635 nm			PSB ^{*3} POD ^{*1}	
LFX2-150SW	White	24 V / 19 W	6,600 K		*4 The cables with a model name that ends with "-ME7" or "-EL2" are not included.	PD3	*3 Can only use white and infrared.
LFX2-150IR850	Infrared	24 V / 20 W	850 nm			PSB ^{*3} POD ^{*1}	
LFX2-200RD	Red	24 V / 31 W	635 nm			PD3	
LFX2-200SW	White	24 V / 25 W	6,600 K			PSB ^{*3} POD ^{*1}	
LFX2-200IR850	Infrared	24 V / 27 W	850 nm				

LED Properties: Light Spectrum ▶ P.290

Extension Cables ▶ P.280

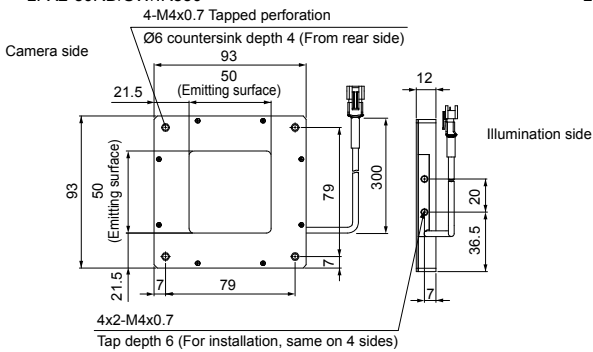
Control Unit Selection Guide ▶ P.229

List of Control Unit Specifications ▶ P.231

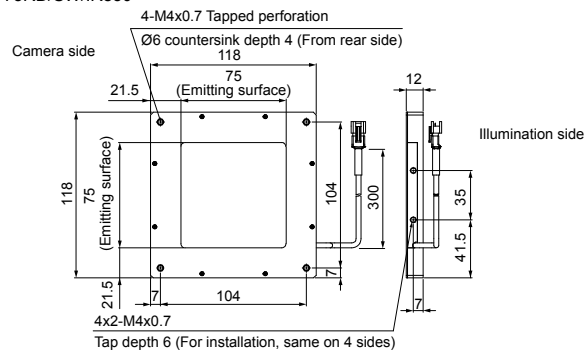
*1: For information on the combination of Light Units and POD-series Control Unit, please refer to our website. <http://www.ccs-grp.com/lnk/qr/pod>

Dimensions (mm)

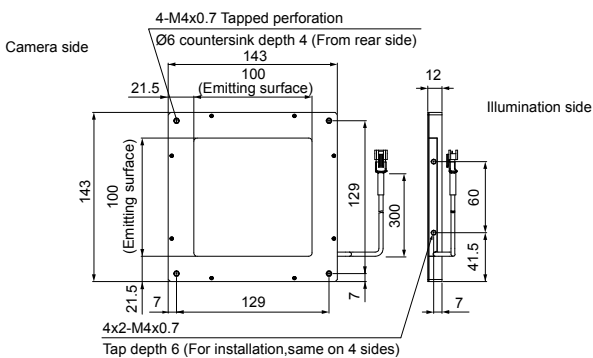
LFX2-50RD/SW/IR850



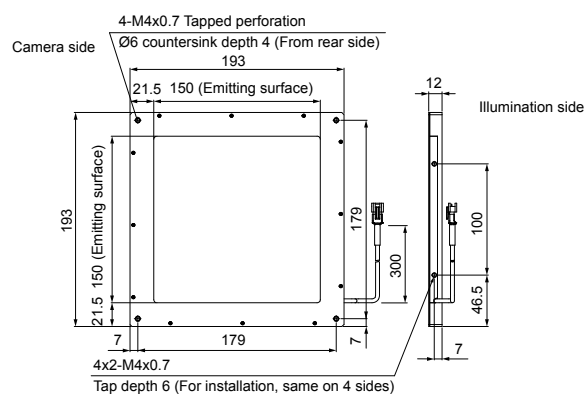
LFX2-75RD/SW/IR850



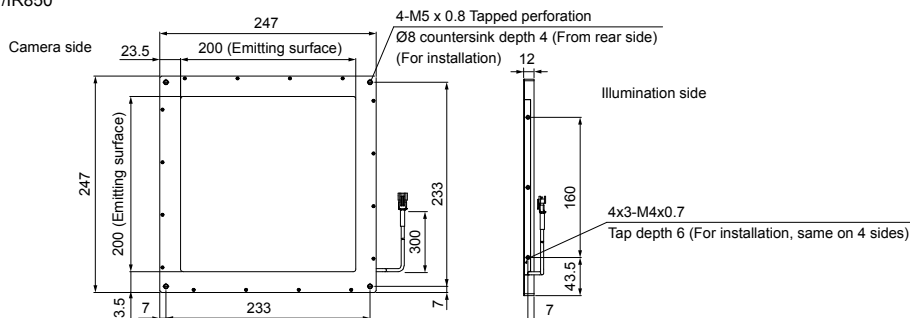
LFX2-100RD/SW/IR850



LFX2-150RD/SW/IR850



LFX2-200RD/SW/IR850



You can change the connectors of the Light Unit cable. Choose between M12 connectors and flying leads. Refer to P.5 for details.

You can inquire using
our website.Requests for
Light Unit
SelectionRequests for
Loan
ProductsRequests for
EstimatesRequests for
a CatalogProduct
InquiriesOther
InquiriesInquire on our website here.
<http://www.ccs-grp.com/contact/>

Direct Lighting	LDR2
	LDR2-LA
	LDR-LA1
	SQR
	SQR-TP
Diffused Lighting	HPR2
	LFR
	LKR
	FPR
	FPQ2
Direct Lighting	LDL2
	LDLB
	HLDL2
	HL
	TH2 (5 types)
	TH
	LFL
	HPD2
	LDM2
	LAV
	PDM
	LFX3
	LFX3-PT
	LFX2
	LFV3
Colimated Lighting	MSU
	MFU
Strobe Lighting	PF
Water-proof	HLDR-IP/ IQ/HSL-PCL
Ultraviolet Lighting	UV2
	UV
	LNSP-UV-FN
Infrared Lighting	IR2
Intensity Control	IU
Spot Lighting, Etc.	HLV2
	LV
	LSP
	HFS/HFR
	HLV2-NR
	HLV2-3M-RGB-3W
	PFBR
	PFB2
Convergent Lighting	LNLP
	LNSP2
	LNSP
	Coaxial Units
	LNSP-FN
	LN/LN-HK
Diffused Lighting	LNSD
	LND2
	HLND
	LT
	LNV/HLDN
Oblique Angled Lighting	LNDG
	LNIS
	LNIS-FN
Lenses	Telecentric Lens
	Macro Lens