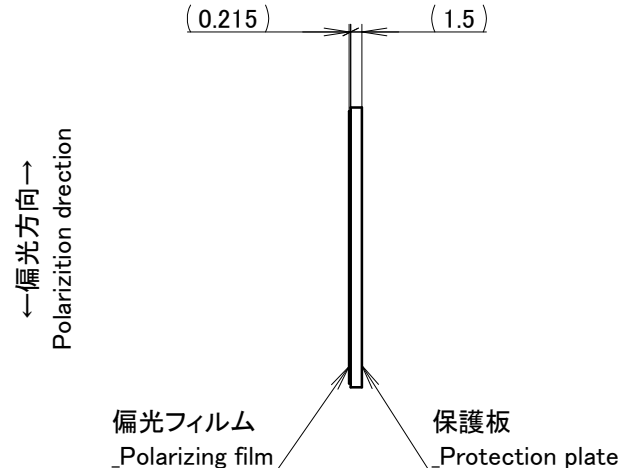
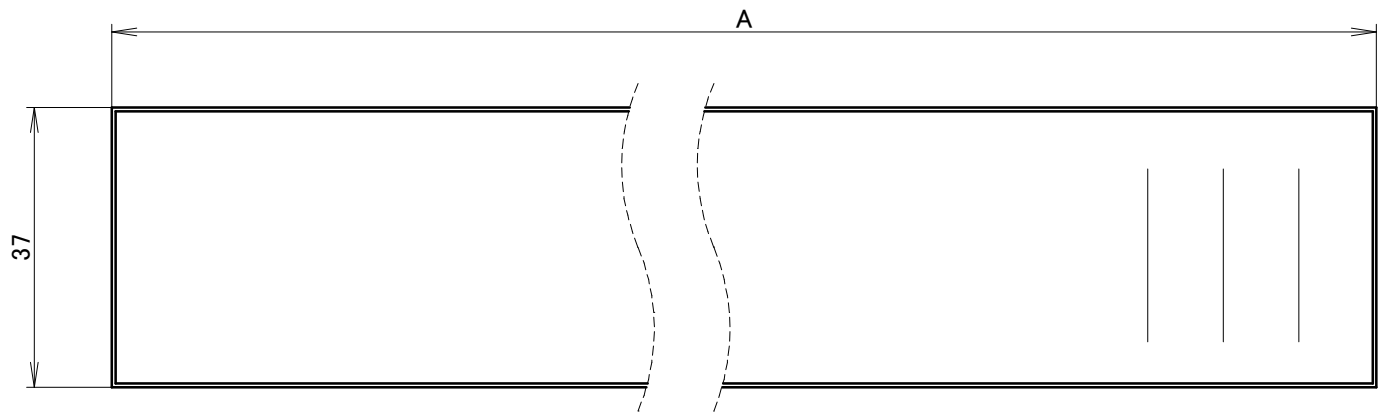


A
B
C
D



型式_Model	A
PL-HLDL3-150-VE	154
PL-HLDL3-300-VE	304
PL-HLDL3-450-VE	454
PL-HLDL3-600-VE	604
PL-HLDL3-750-VE	754
PL-HLDL3-900-VE	904

本製品は偏光フィルムと保護板の間に気泡が発生する可能性があります。
 _This product there is a possibility you to bubble protection plates and the polarizing film that occurs.

UNIT:mm

REVISION	DATE	DESCRIPTION	REVISED
000			

ISSUE DATE	SCALE	APPROVED	NAME
2021/10/28	1:1	T.OSAWA	PL-HLDL3-VE series
	SHEET SIZE	CHECKED	DRAWING NAME
	A4	Y.INOUE	外観図_Outline
	DESIGNED		
PROJECTION		H.TOYOTA	DRAWING No.
		DRAWN	REVISION
		H.TOYOTA	000
			SHEET
			01
			01