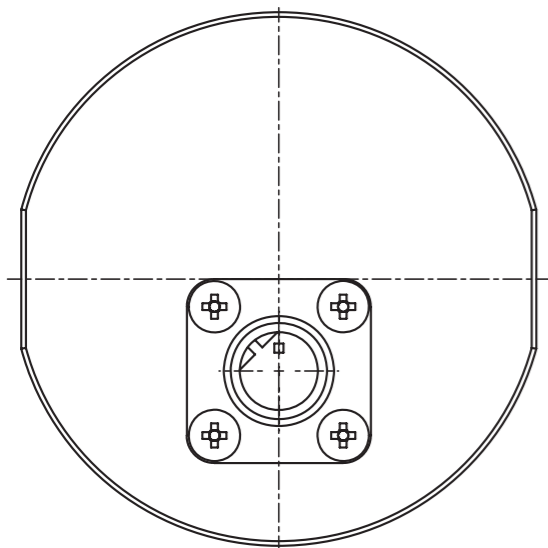
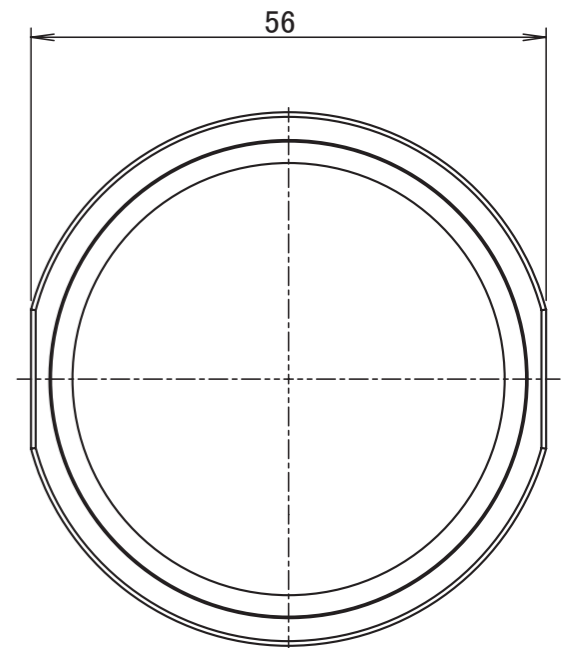
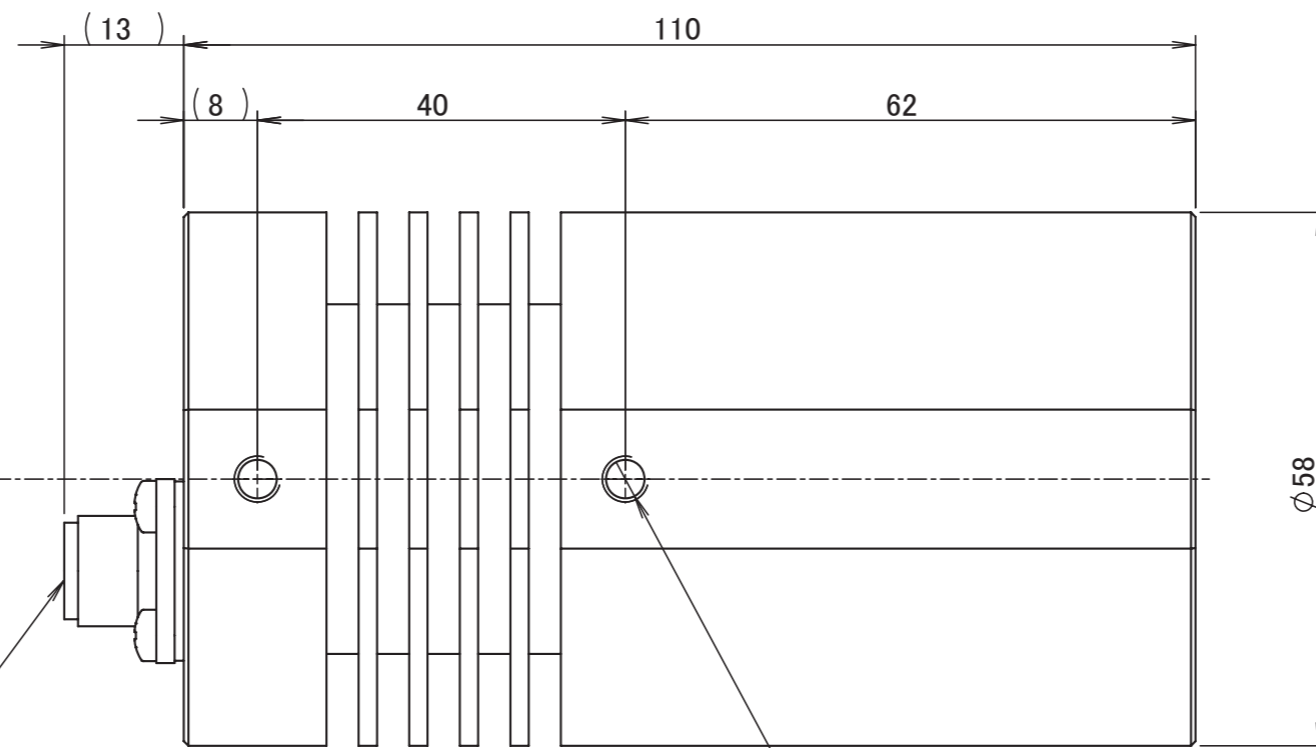
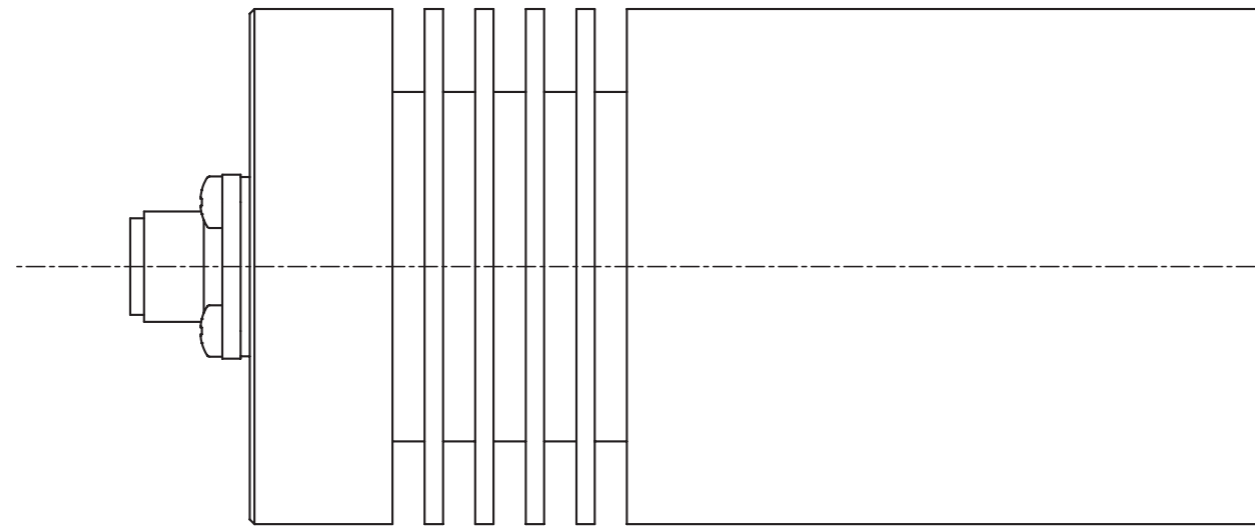


HSL-58RD-D300PCL / HSL-58SW-D300PCL HHSL-58BL-D300PCL / HHSL-58GR-D300PCL

Unit: mm



XS2M-D423(OMRON)

- ①: Anode (+)
- ②: N.C.
- ③: Cathode (-)
- ④: Signal (R)

2 × 2-M5x0.8 depth10
 (For mounting ,
 Same as the opposite side)