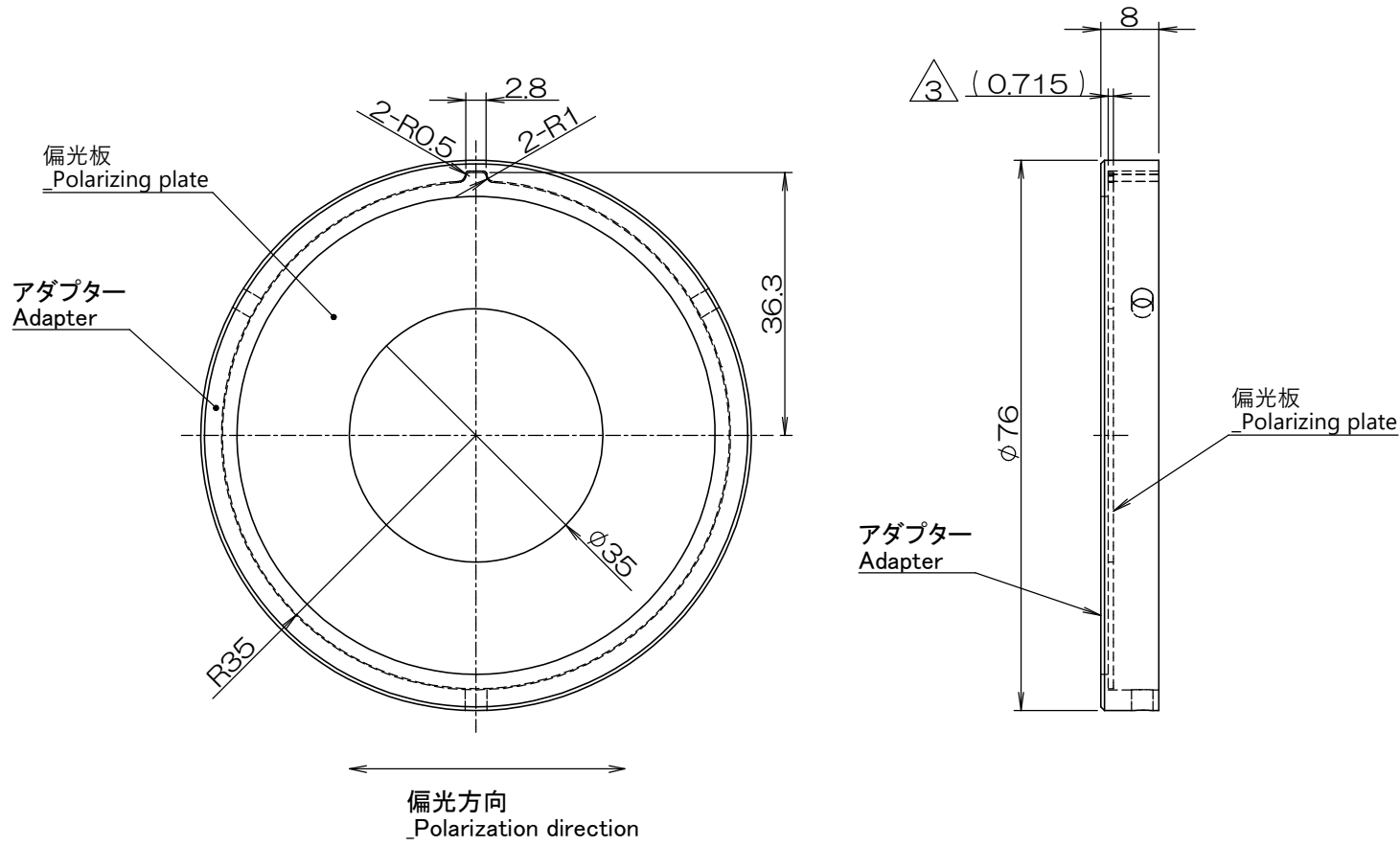


A

B

C

D



付属品_Accessories: セットビス_Set bis(M3-3mm黒_black) 4個_pieces
六角レンチ_Hexagon wrench 1個_pieces

UNIT:mm

003	2022/09/16	材料変更_Material change.	A.MATSUMURA
REVISION	DATE	DESCRIPTION	REVISED

ISSUE DATE	SCALE	APPROVED	NAME
2007/07/31	1:1		PL-LDR2-70
	SHEET SIZE	CHECKED	DRAWING NAME
	A4	S.OSAWA	外観図_Outline
	PROJECTION	DESIGNED	DRAWING No.
		DRAWN	REVISION
		K.FUNAKI	003
		K.FUNAKI	01
			01

UA02198-G