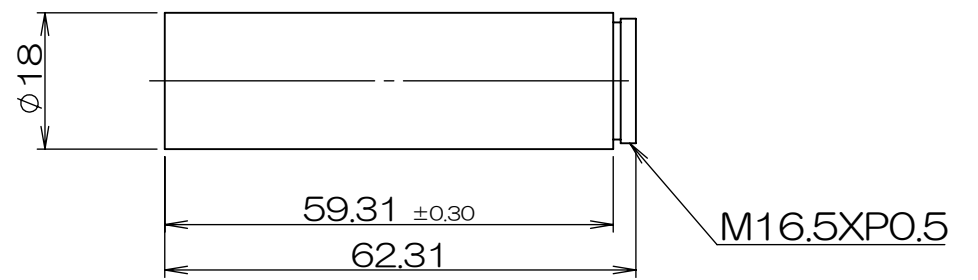
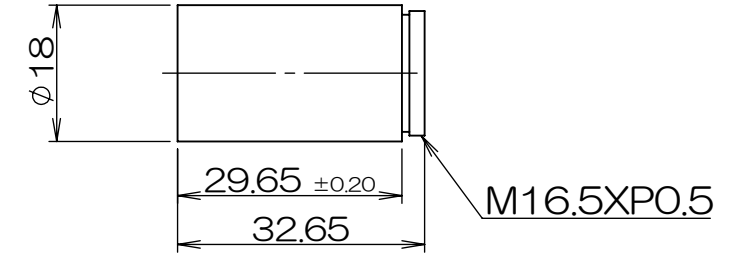
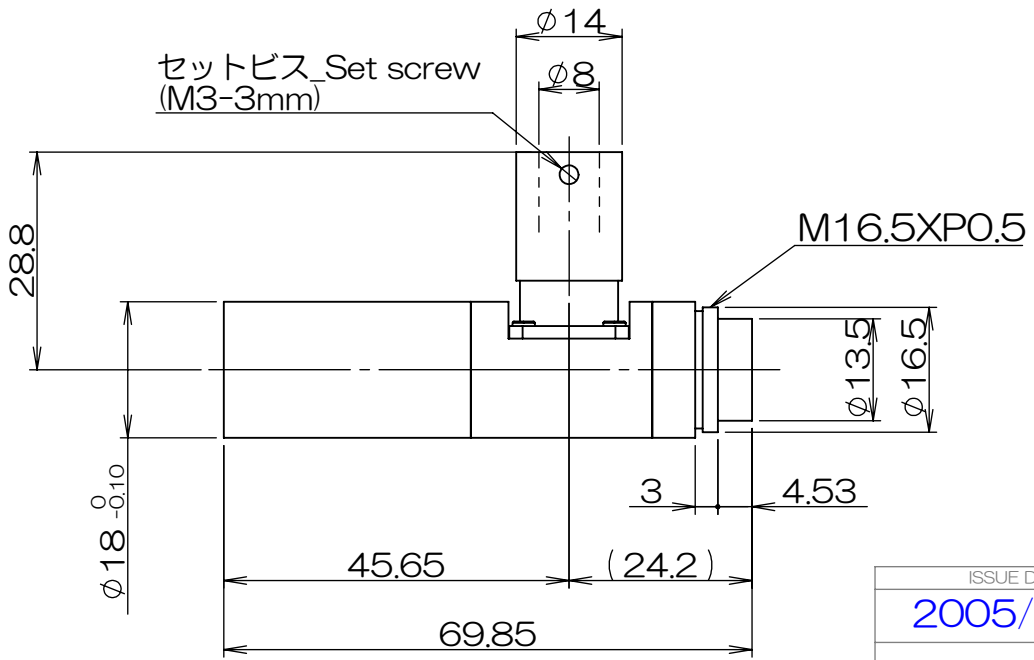
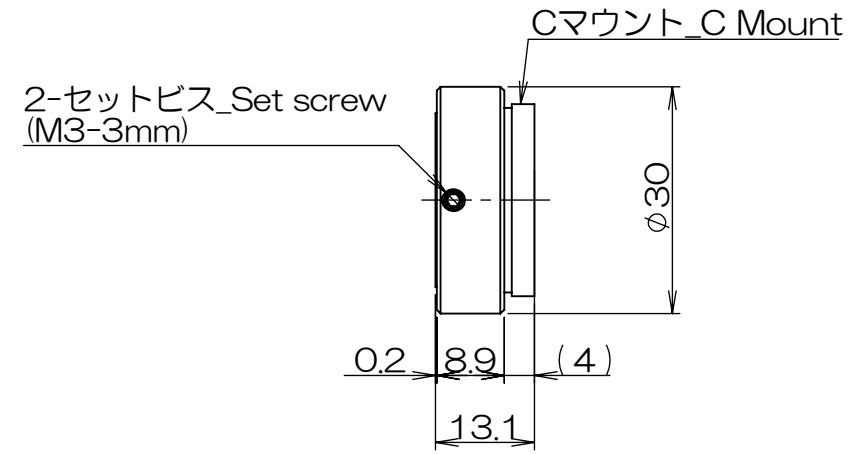
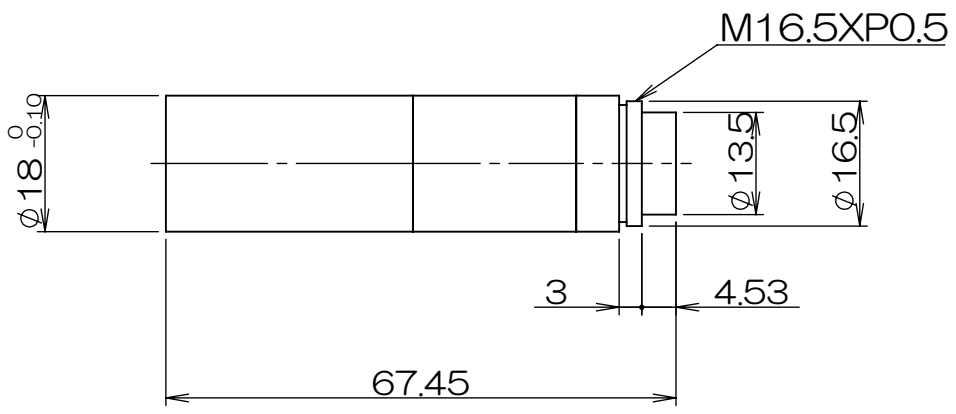

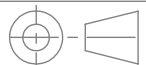


A
B
C
D



UNIT:mm

001			
REVISION	DATE	DESCRIPTION	REVISED

ISSUE DATE	SCALE	APPROVED	NAME
2005/05/30	1:1		SE-18MS
 CCS Inc.	SHEET SIZE	CHECKED	DRAWING NAME
	A4		外観図_Outline
PROJECTION		DESIGNED	DRAWING No.
		DRAWN	UA01465-G
		T.TOGAWA	REVISION SHEET
			001 01/01