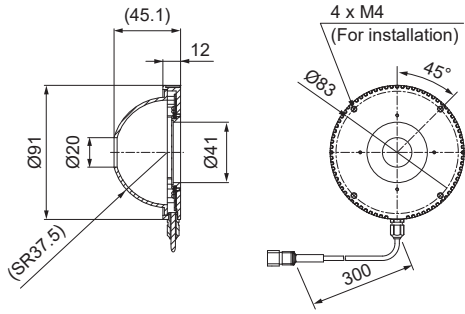


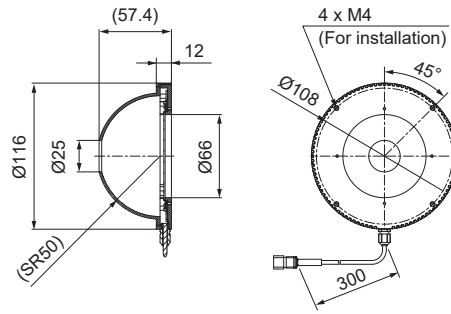
# Dimensions (mm)

M4 and M6 installation holes are tapped and perforated holes.

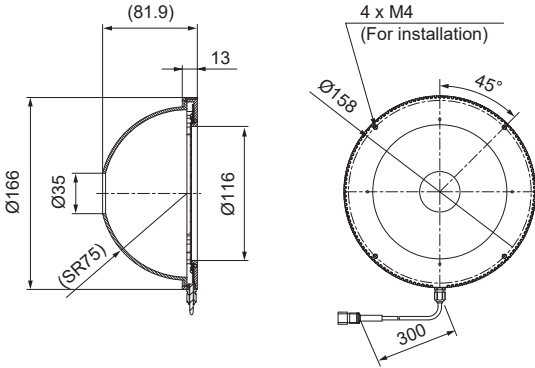
HPD2-75RD/SW/BL/FC/IR860



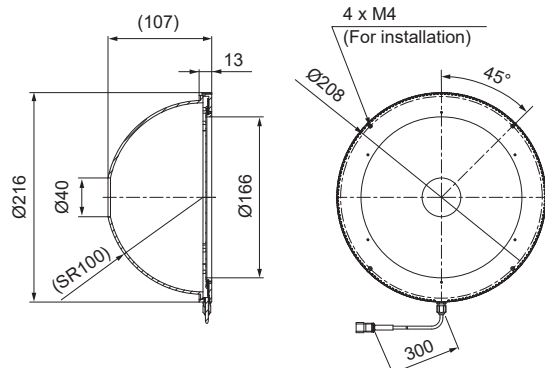
HPD2-100RD/SW/BL/FC/IR860



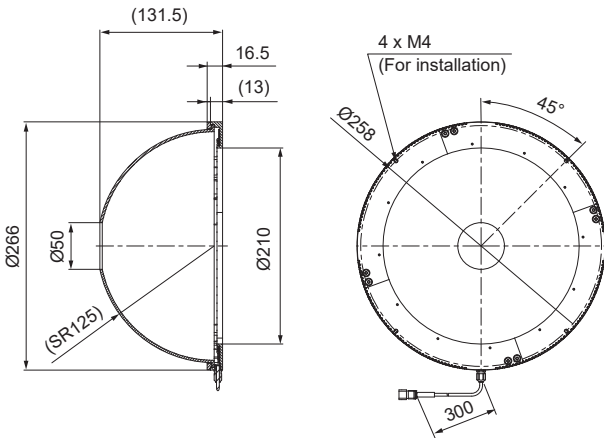
HPD2-150RD/SW/BL/FC/IR860



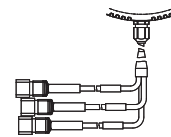
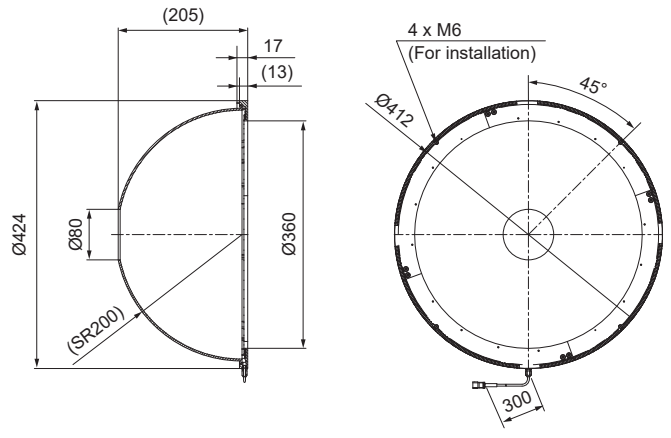
HPD2-200RD/SW/BL/FC/IR860



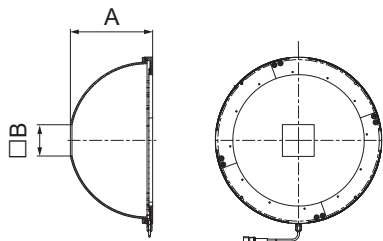
HPD2-250RD/SW/BL/FC/IR860



HPD2-400RD/SW/BL/FC/IR860



- The camera aperture can be changed to a square.
- Special order



Model	Dimension A	Dimension B
HPD2-75□-SQ20	45.1	20
HPD2-100□-SQ30	56.7	30
HPD2-150□-SQ40	81.3	40
HPD2-200□-SQ50	105.8	50
HPD2-250□-SQ60	130.3	60
HPD2-400□-SQ80	205	80

□ is a placeholder for letters that indicate the color of the emitted light. Dimensions are subject to change.

The full color type (HPD2-□□FC, HPD2-400FC-FT) has three connectors. Use a 3-channel Control Unit if controlling intensity separately for each color.