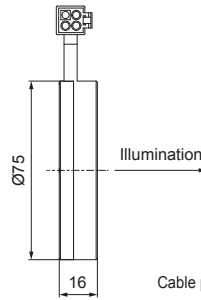
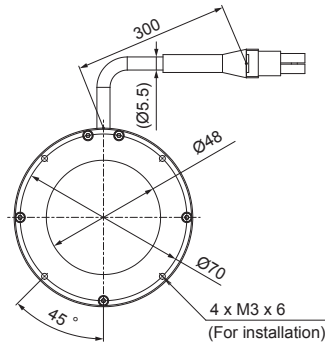


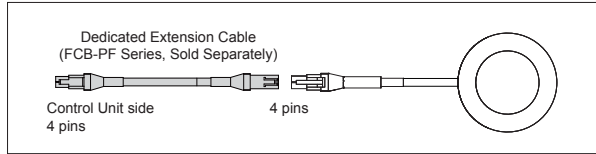
➤ Dimensions (mm)

LDR-PF-75RD-LA / SW-LA

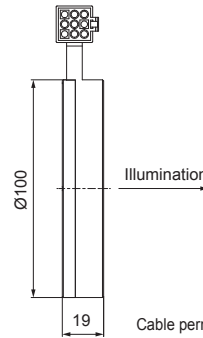
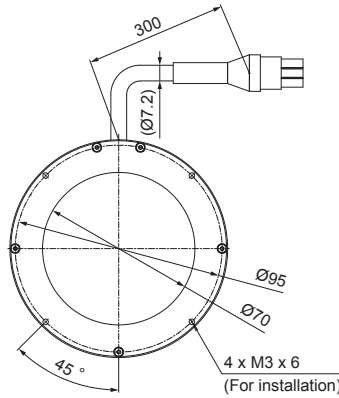
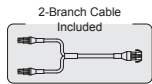


Cable permitted bending radius: 22 mm

■ How to Connect the Extension Cables For LDR-PF-75-LA

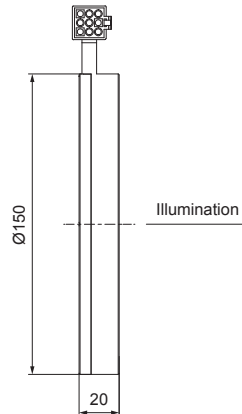
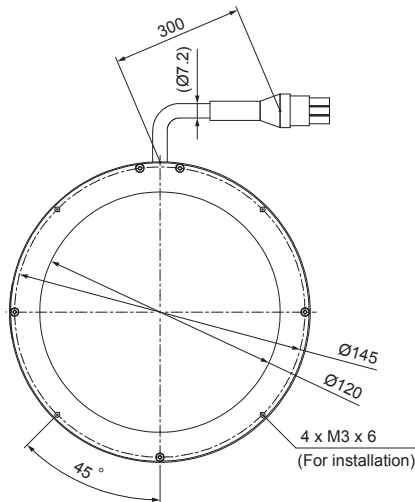
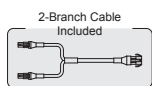


LDR-PF-100RD-LA / SW-LA



Cable permitted bending radius: 43.2 mm

LDR-PF-150RD-LA / SW-LA



Cable permitted bending radius: 43.2 mm

■ How to Connect the Extension Cables For LDR-PF-100-LA / LDR-PF-150-LA

