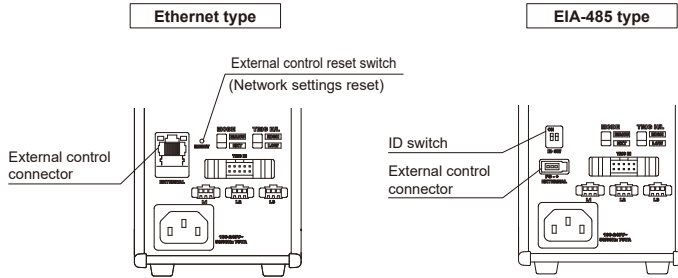
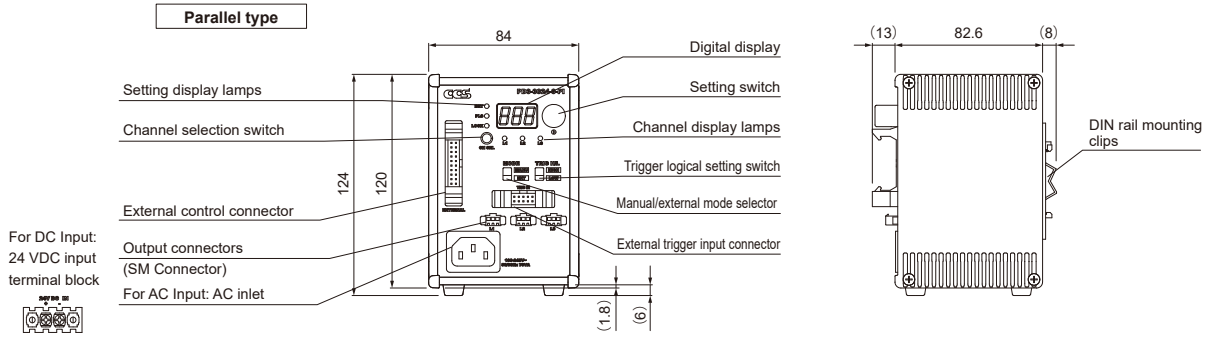
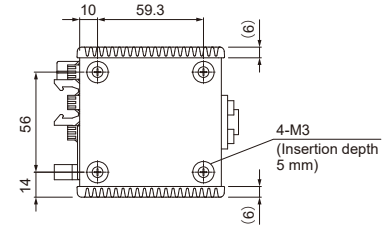


Dimensions (mm)

PD3-3024-3-PI / PD3-3024-3-EI (A) / PD3-3024-3-SI (A) / PD3-3024-3-PT / PD3-3024-3-ET (A) / PD3-5024-3-PT / PD3-5024-3-ET (A)

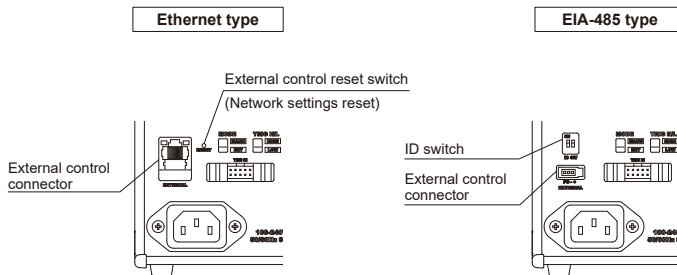
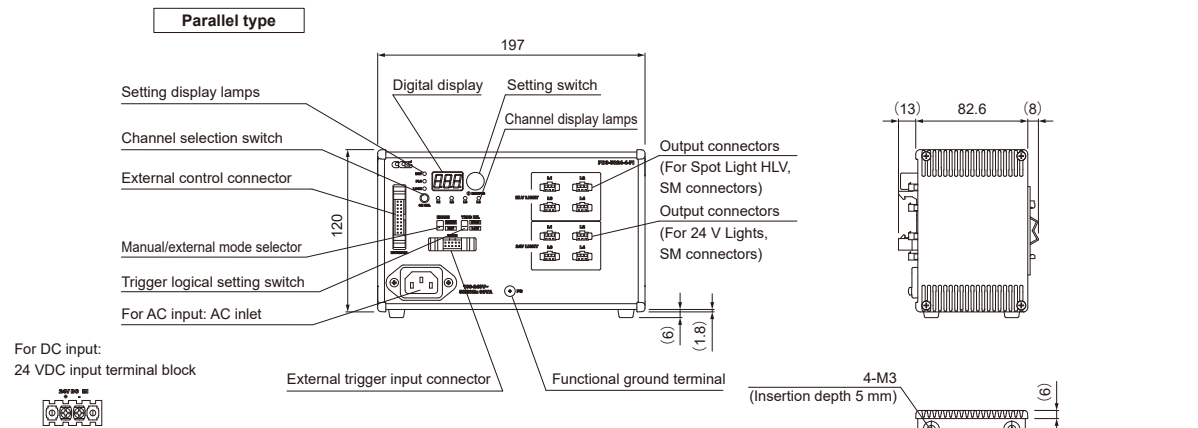


Ethernet/EIA-485 types have the same external dimensions as the parallel type.

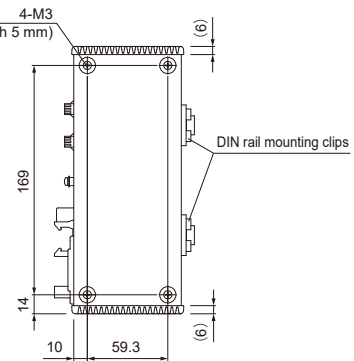


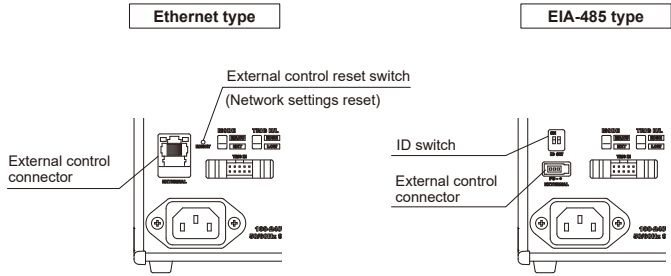
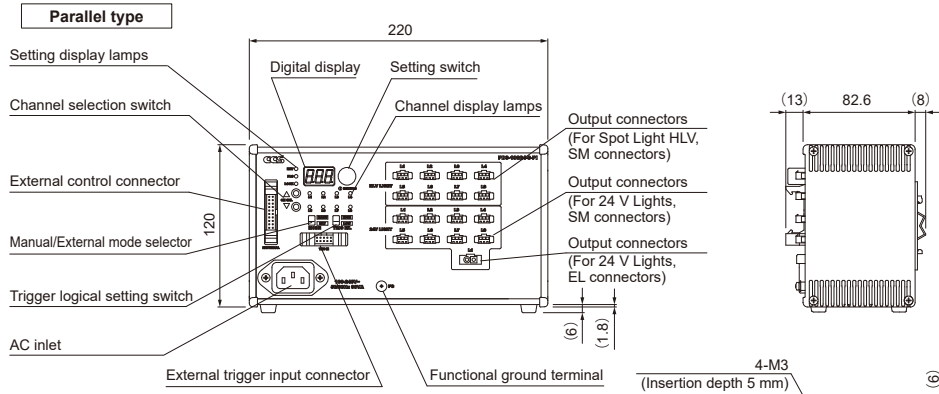
Dimensions (mm)

PD3-5024-4-PI(A) / PD3-5024-4-EI(A) / PD3-5024-4-SI(A) / PD3-5024-4-PT(A) / PD3-5024-4-ET(A)



Ethernet/EIA-485 types have the same external dimensions as the parallel type.





Ethernet/EIA-485 types have the same external dimensions as the parallel type.

