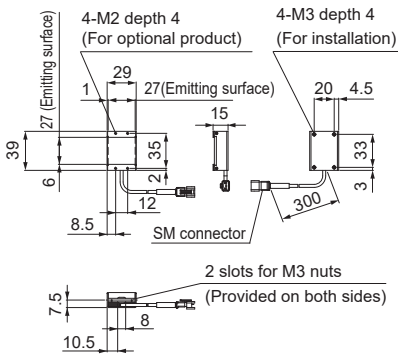


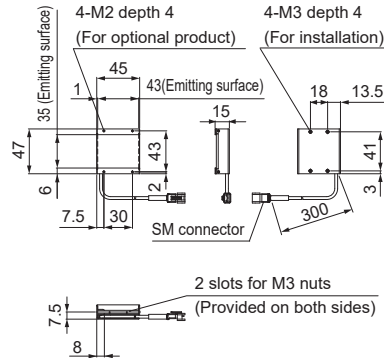
# Dimensions (mm)

Even for the Light Units of the same emitting surface size, the thickness and other dimensions of the product differ between the high-luminance and high-directivity type Light Units. Be sure to check the dimension diagrams before installing the Light Units.

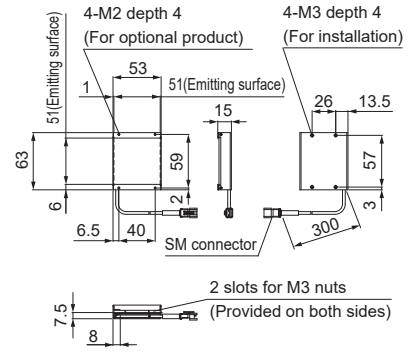
TH2-27X27RD/SW/BL



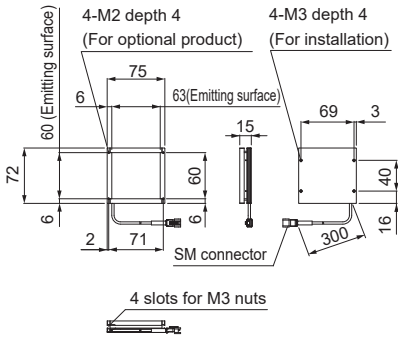
TH2-43X35RD/SW/BL



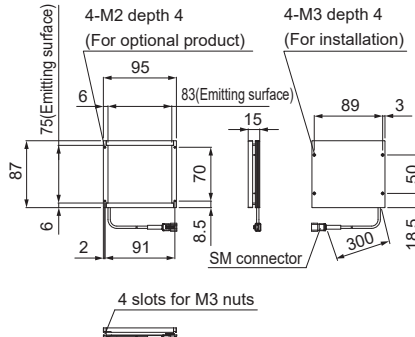
TH2-51X51RD/SW/BL



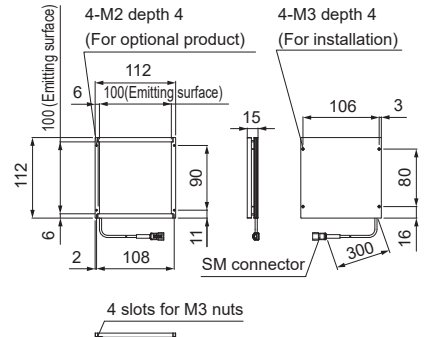
TH2-63X60RD/SW/BL



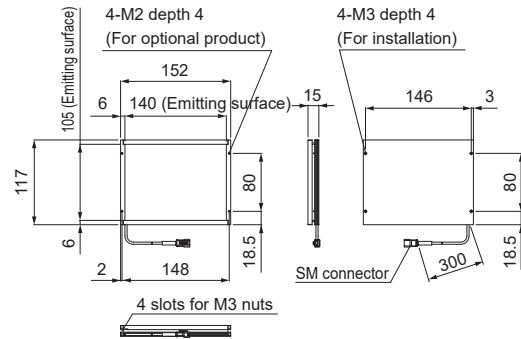
TH2-83X75RD/SW/BL



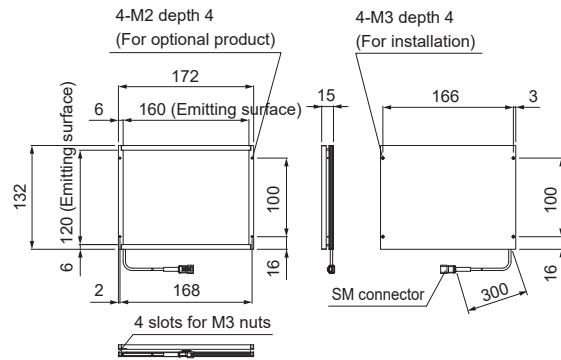
TH2-100X100RD/SW/BL



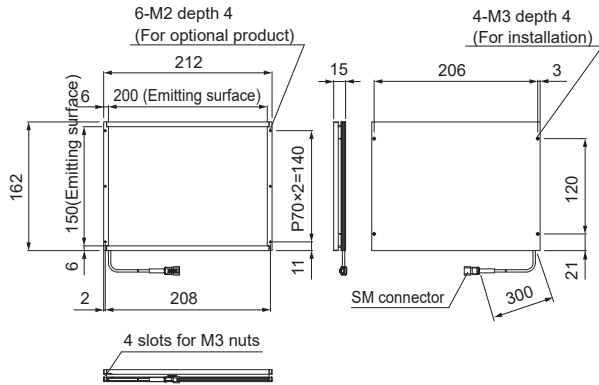
TH2-140X105RD/SW/BL



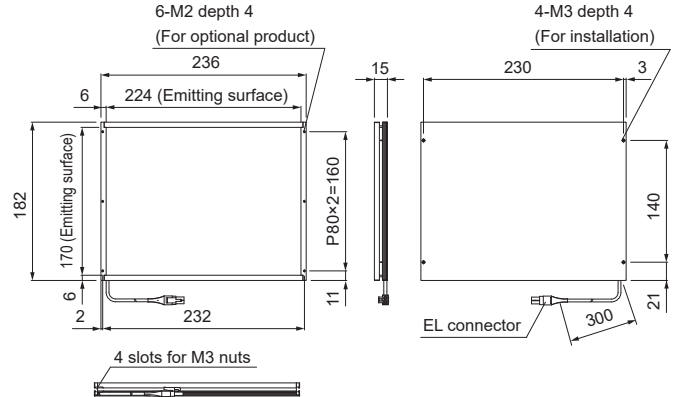
TH2-160X120RD/SW/BL



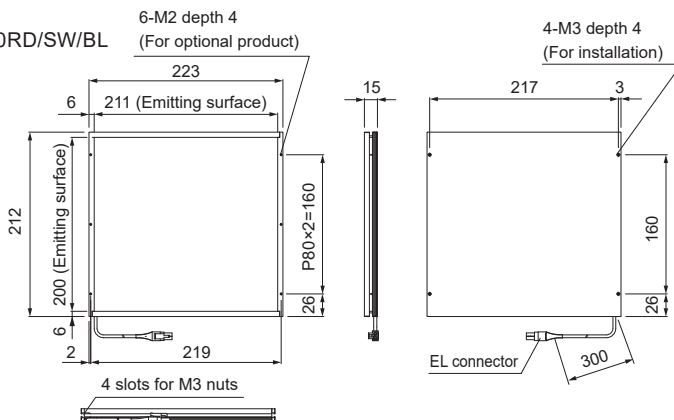
TH2-200X150RD/SW/BL



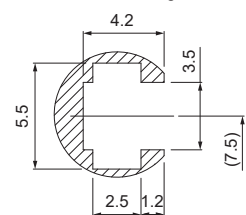
TH2-224X170RD/SW/BL



TH2-211X200RD/SW/BL



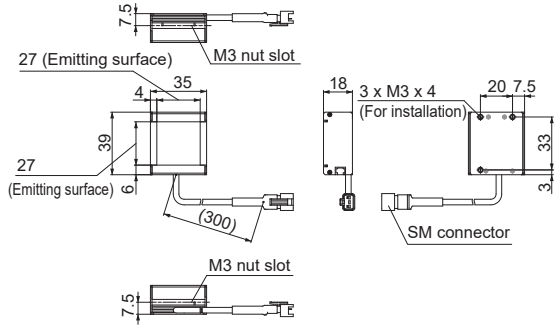
Nut slot detail diagram



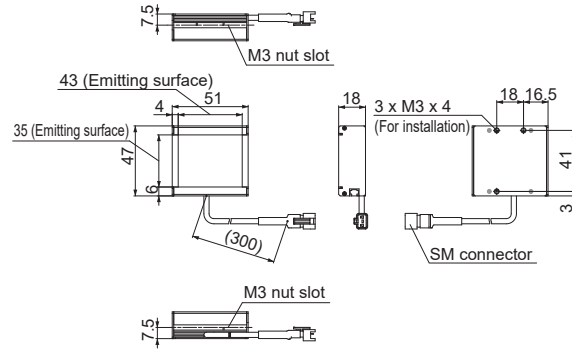
# Dimensions (mm)

Even for the Light Units of the same emitting surface size, the thickness and other dimensions of the product differ between the high-luminance and high-directivity type Light Units. Be sure to check the dimension diagrams before installing the Light Units.

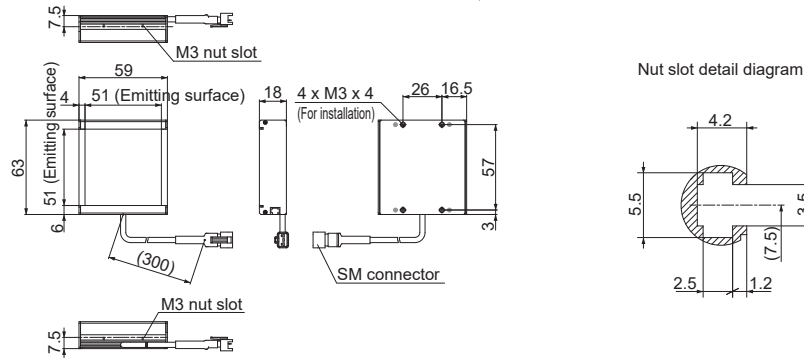
TH2-27X27RD-PM / SW-PM / BL-PM



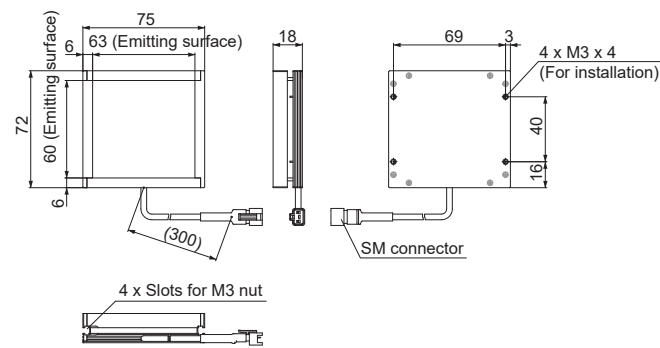
TH2-43X35RD-PM / SW-PM / BL-PM



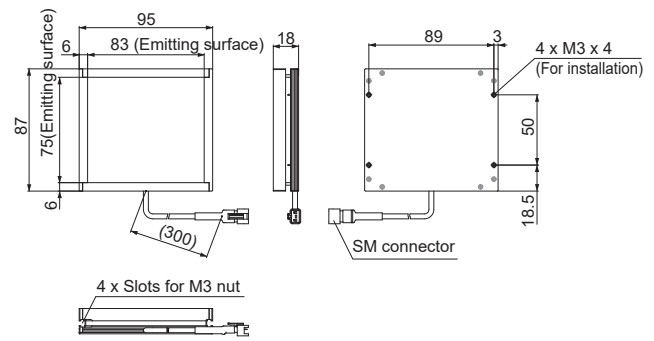
TH2-51X51RD-PM / SW-PM / BL-PM



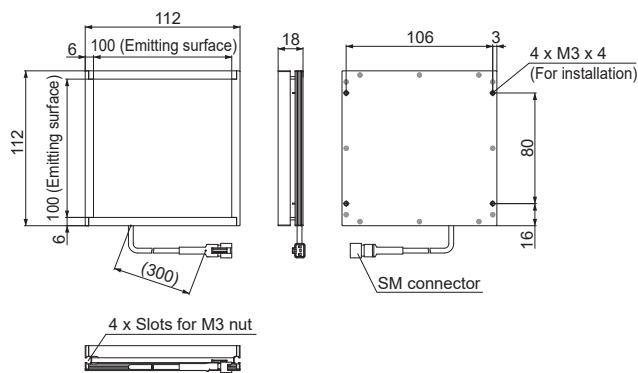
TH2-63X60RD-PM / SW-PM / BL-PM



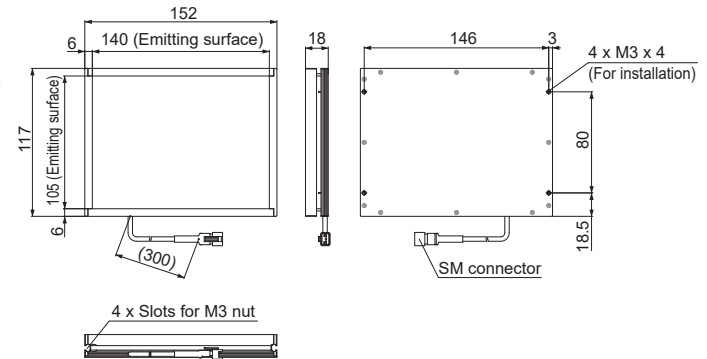
TH2-83X75RD-PM / SW-PM / BL-PM



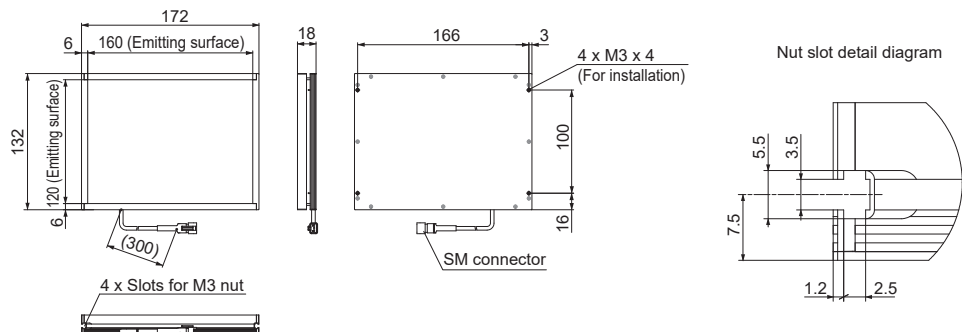
TH2-100X100RD-PM / SW-PM / BL-PM



TH2-140X105RD-PM / SW-PM / BL-PM

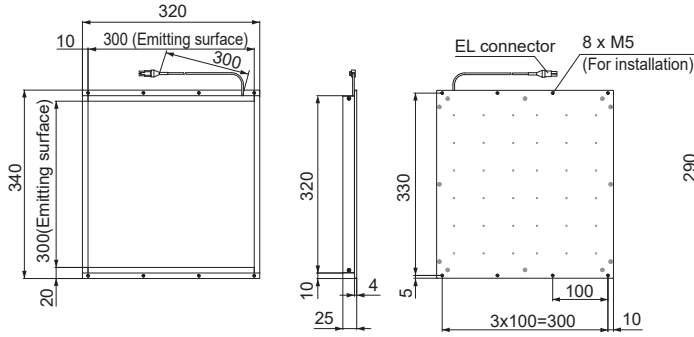


TH2-160X120RD-PM / SW-PM / BL-PM

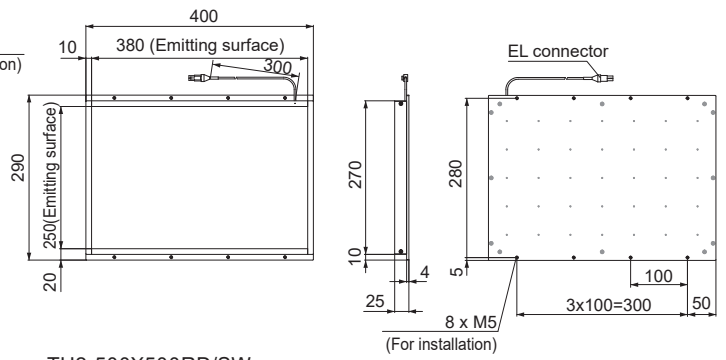


## Dimensions (mm)

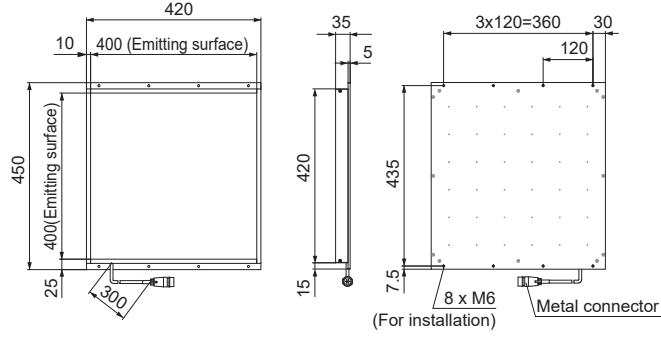
TH2-300X300RD/SW



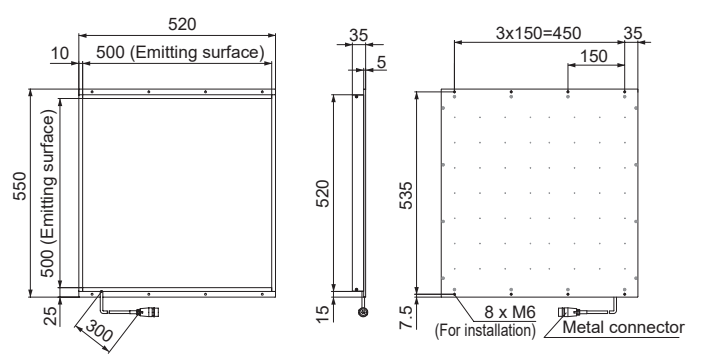
TH2-380X250RD/SW



TH2-400X400RD/SW

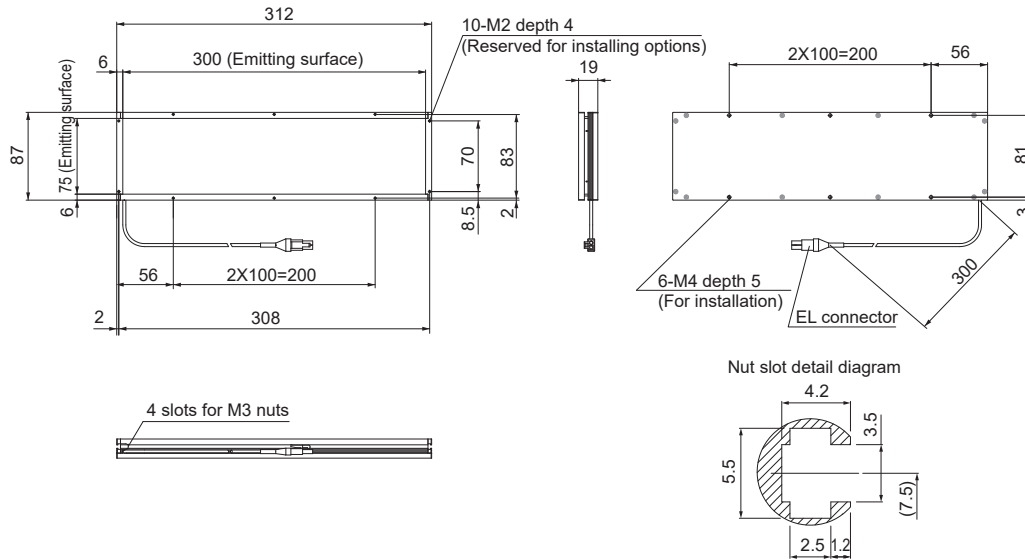


TH2-500X500RD/SW



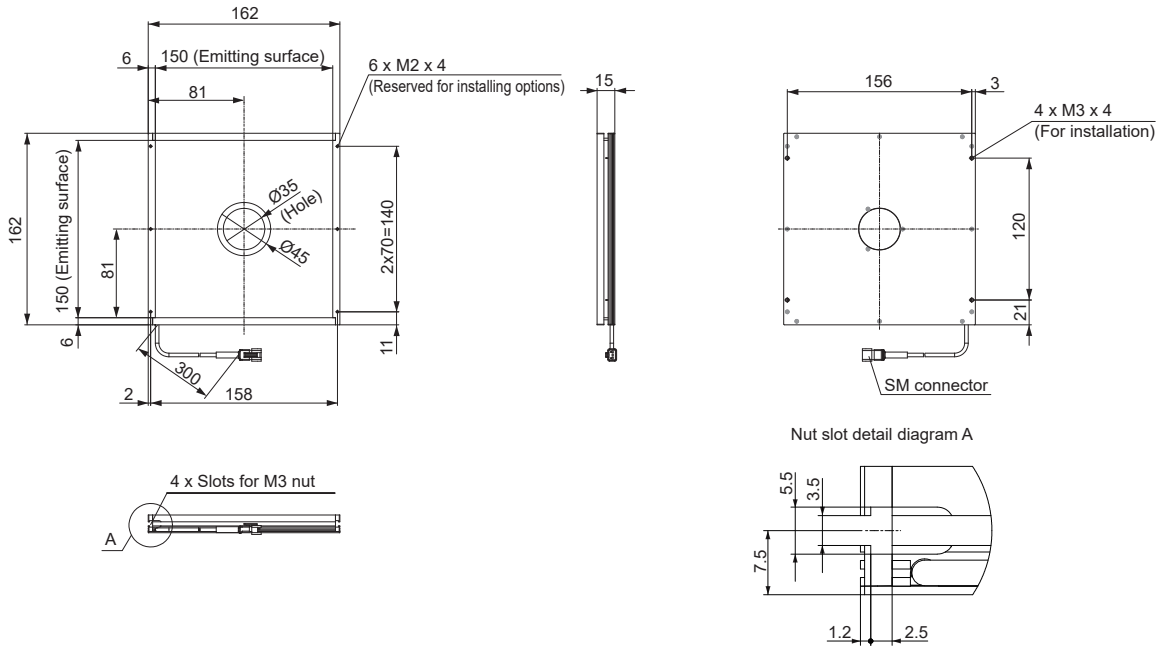
## Dimensions (mm)

TH2-300X75RD/SW

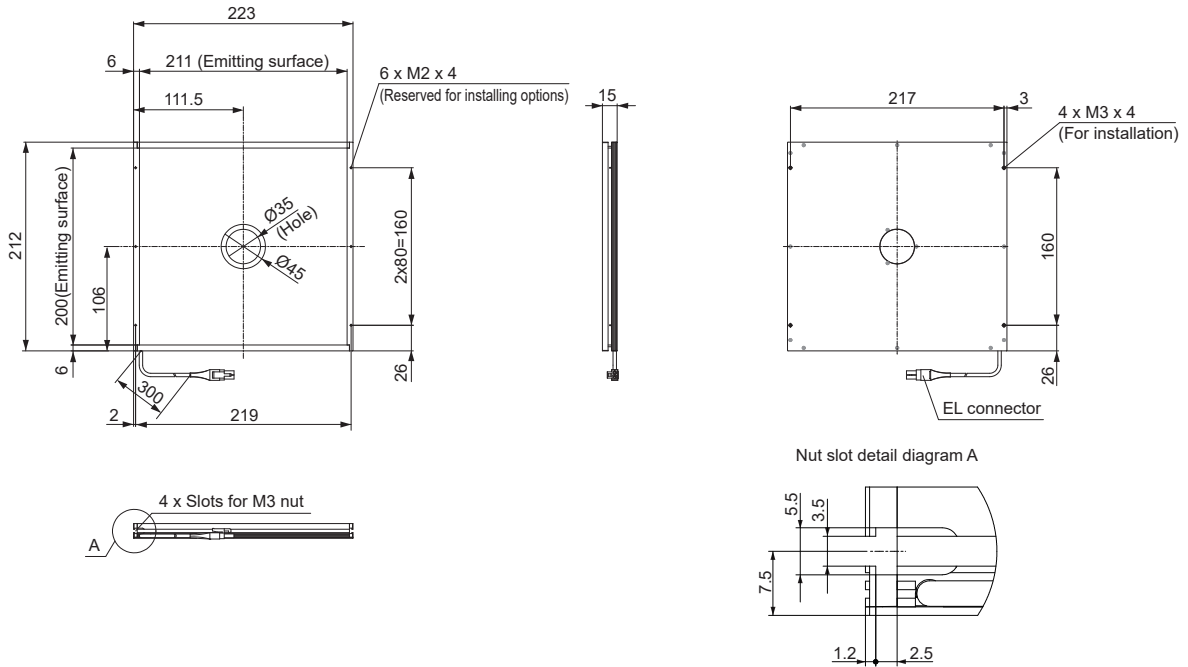


# Dimensions (mm)

TH2-150X150RD-CR35 / SW-CR35



TH2-211X200RD-CR35 / SW-CR35



TH2-300X300RD-CR35 / SW-CR35

