

The Market Highest Level of Uniformity and Brightness

LED LINE LIGHT

**LT SERIES** **NEW**

LED LINE LIGHT **LT SERIES**

Patent Pending



# The Market Highest Level of Uniformity and Brightness

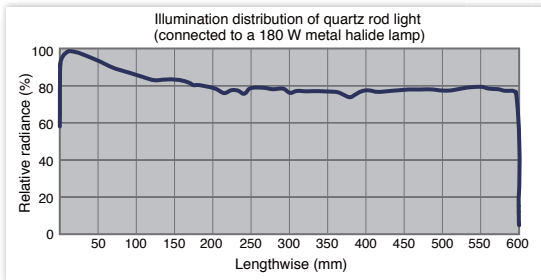
Realize both high uniformity and high brightness

## The highest level of "Uniformity" \*

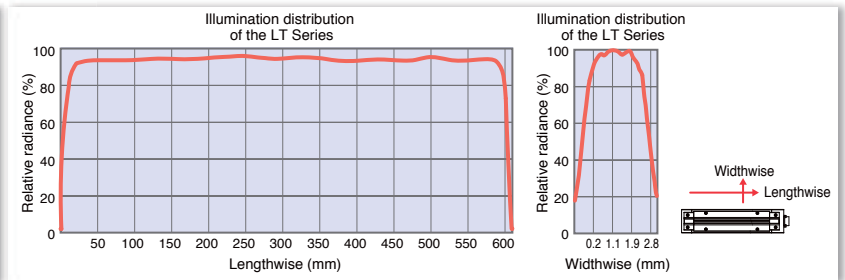
\* According to our own research on line sensor lights as of March 2010.

In a comparison of uniformity with quartz rod light, the LT Series realizes higher uniformity. Greater uniformity enables more precise inspection.

### ■ Quartz rod light uniformity



### ■ LT Series uniformity



\* Data is for reference only and does not ensure product quality.

## More than 4 times the "Brightness" \*

\* Under our own measurement environment.

In a comparison of brightness with quartz rod light, the LT Series realizes more than four times higher output. Greater output enables faster line speed.

### ■ Brightness comparison (quartz rod light vs. the LT Series)

Quartz rod light (600 mm)  
(180 W metal halide lamp)

150,000 cd/m<sup>2</sup>

LT-600SW

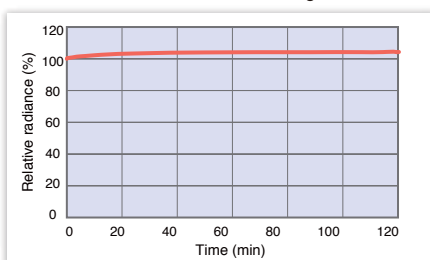
650,000 cd/m<sup>2</sup>



\* Data is for reference only and does not ensure product quality.

## Stable brightness vs. Demand of longer life

### ■ Fluctuation over time Change in radiance over time



Actual measurement at 100% intensity and an outside temperature of 20°C. (Values are not guaranteed.)

2% fluctuation

Stable about 20 minutes after turning on

### ■ Service life

Over **20,000** hours!

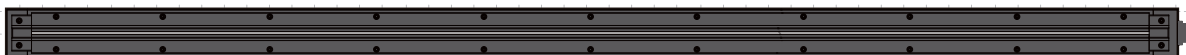
Calculated at 100% intensity and an ambient temperature of 25°C until light output drops to 50%. (Values are not guaranteed.)

### Various sizes available

### ■ We offer LT Series at lengths that are optimum to each application.



The emitting surface length is selectable in 100 mm increments from a minimum of 100 mm.



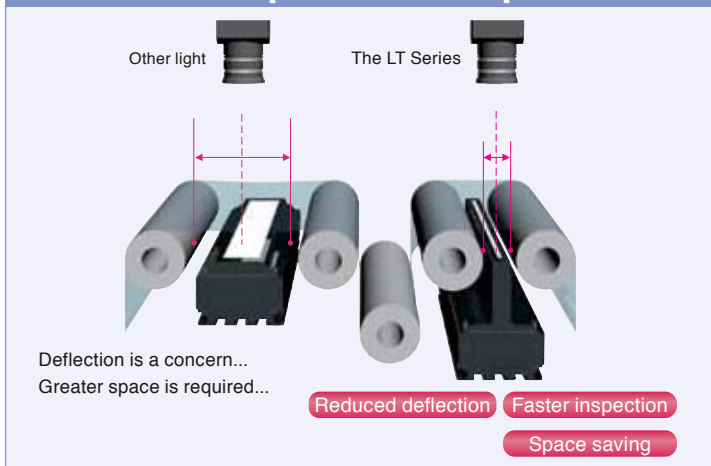
up to a 1,800 mm

Emitting surface lengths can be ordered in 100 mm increments. Lengths from 100 mm to 1,800 mm make the LT Series suitable a wide variety of applications.

# NEW LT SERIES

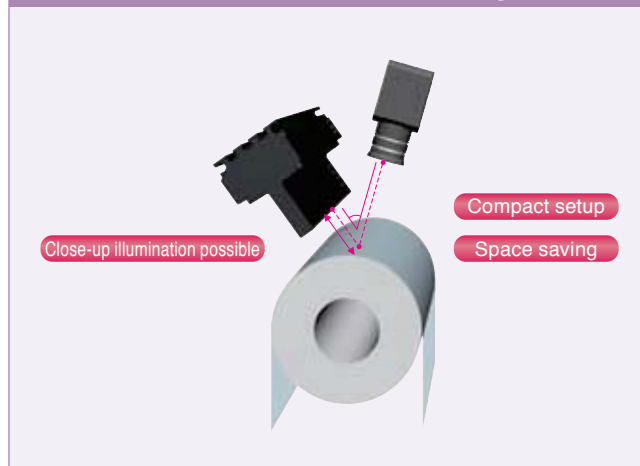
An illumination structure suitable to each working environment

## Transparent example



Inspection speed can be improved by narrowing the distance between rollers.

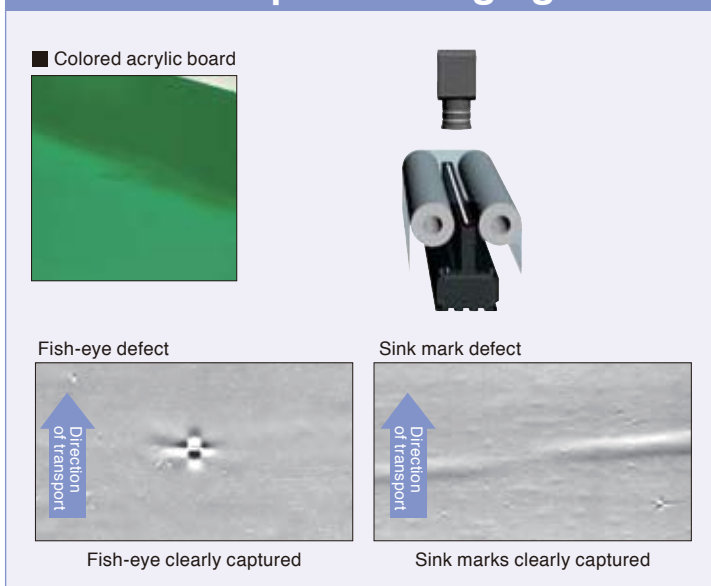
## Direct reflection example



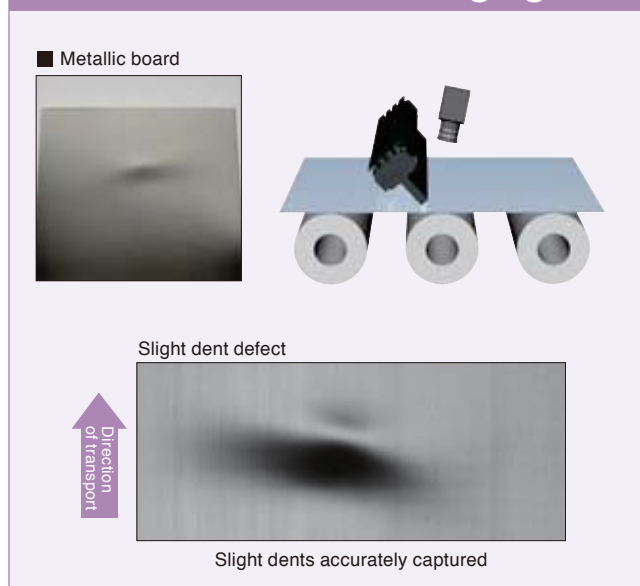
Inspection is possible by mounting the camera at a narrow angle.

## Making the optimum imaging possible

### Transparent imaging

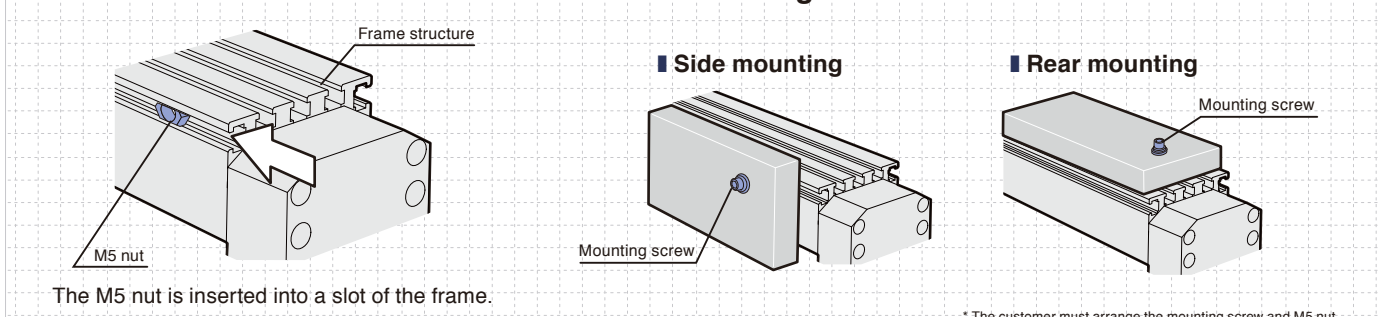


### Direct reflection imaging



## New mounting method

Flexible installation is available to suit different working environments.



## Main Specifications

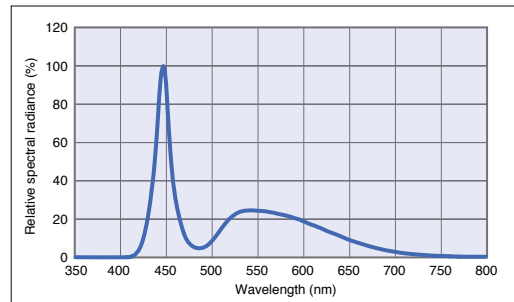
### LT Series common specifications

Model	LT- (100xn) SW "100xn" = Emitting surface length
Input voltage	DC 24V
LED color	White
Correlated color temperature	10,000K
Connector	Metal (7-pin and plug)
Polarity and signal	1, 2, 3: (+) 4, 5, 6: (-) 7: NC
Cooling system	Natural air cooling
Operating environment (for indoor use only)	Temperature: 0 to 40°C, Relative humidity: 20 to 85% (non-condensing)
Storage environment	Temperature: -20 to 60°C, Relative humidity: 20 to 85% (non-condensing)
Case material	Aluminum alloy

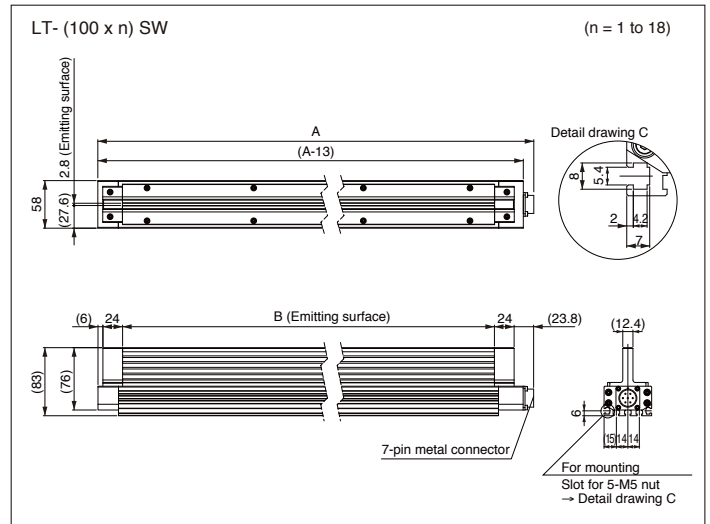
### Specifications by model

Model	Power consumption (W)	Weight (g)	For external dimension diagrams		
			n	A: Overall length (mm)	B: Emitting surface (mm)
LT-100SW	15	500	1	178	100
LT-200SW	29	1000	2	278	200
LT-300SW	43	1500	3	378	300
LT-400SW	57	2000	4	478	400
LT-500SW	71	2500	5	578	500
LT-600SW	85	3000	6	678	600
LT-700SW	99	3500	7	778	700
LT-800SW	113	4000	8	878	800
LT-900SW	128	4500	9	978	900
LT-1000SW	142	5000	10	1078	1000
LT-1100SW	156	5500	11	1178	1100
LT-1200SW	170	6000	12	1278	1200
LT-1300SW	184	6500	13	1378	1300
LT-1400SW	198	7000	14	1478	1400
LT-1500SW	212	7500	15	1578	1500
LT-1600SW	226	8000	16	1678	1600
LT-1700SW	240	8500	17	1778	1700
LT-1800SW	255	9000	18	1878	1800

### Spectral distribution



## External dimension diagram (unit: mm)

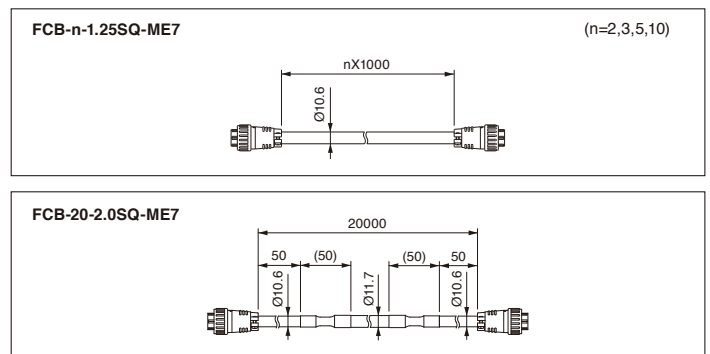


## Dedicated cable

Length	Model
2 m	FCB-2-1.25SQ-ME7
3 m	FCB-3-1.25SQ-ME7
5 m	FCB-5-1.25SQ-ME7

Length	Model
10 m	FCB-10-1.25SQ-ME7
20 m	FCB-20-2.0SQ-ME7

## External dimension diagram (unit: mm)



## Dedicated power supply

The PSB2-10024-EX(A) is used for emitting surface lengths between 100 and 700 mm.

The PSB2-30024-EX(A) is for emitting surface lengths between 800 and 1,800 mm.

\* See our general catalog or website for the specifications and dimensions, etc., of the dedicated power supply.

Model	xxx (emitting surface length) (mm)	Power supply
LT-xxx SW	100 to 700	PSB2-10024-EX (A)
	800 to 1800	PSB2-30024-EX (A)

## Notes:

- Carefully read the product's instruction manual before use to ensure correct operation.
- Product specifications and design are subject to change without notice.
- Examples of workpiece imaging in this catalog are a guide that may be informative for choosing illuminations. Please check the functions of the equipment and requirements when choosing.

### Headquarters

Shimodachiuri-agaru, Karasuma-dori, Kamigyo-ku, Kyoto 602-8011 Japan

Phone: +81-75-415-8284 / Fax: +81-75-415-8278

URL: <http://www.ccs-grp.com> E-mail: [intlsales@ccs-inc.co.jp](mailto:intlsales@ccs-inc.co.jp)