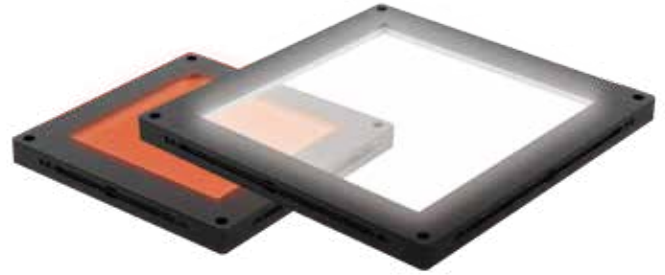


Flat Dome Lights LFX3 Series



Triple the Brightness of Conventional White Lights

* Comparison with the conventional 100X100 model.

Expanded Product Lineup: 28 Models in Total

Applications

- Reading characters on electronic components
- Visual inspection of food containers
- Detecting shrink films
- Visual inspection of cans

LFX3

Flat Dome Lights LFX3 Series

High Output

Abundant Product Lineup

Recreates the Effect of Coaxial Light and Dome Light in a Unit

Approx. 3x the Brightness for White For inspections in fast-moving production lines

* Comparison between the 100X100 models. Approx. 1.3x for red.

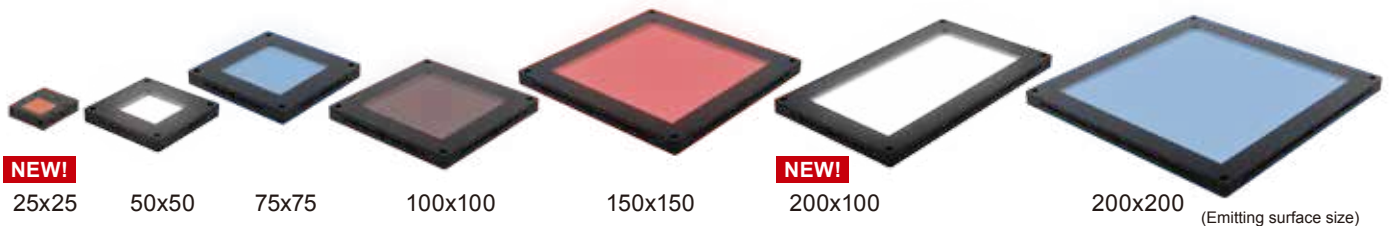
Increased brightness with strobe lighting and overdriving.

The diagram shows a bar chart comparing LFX2 (1x) and LFX3 (Approx. 3x) under continuous lighting, and LFX3 (Approx. 9x) under strobe lighting. To the right, three imaging examples show a 'Conventional product' (1x), a 'New product' under continuous lighting (Approx. 3x), and a 'New product' under strobe lighting (Approx. 9x). The shutter speed for the strobe lighting is 1/24,000.

Measuring condition
 Amount of light: 100% intensity
 • Brightness comparison between the LFX2-100SW and LFX3-100SW.
 • The data included is for reference only. Results for individual products may vary.

Total of 28 Models

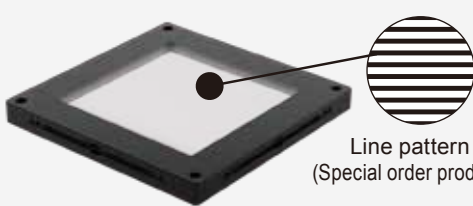
New sizes and blue color now supported.



| Conventional products | | |
|-----------------------|----------------------------|--------------|
| Series | Emitting surface size (mm) | LED color |
| — | — | — |
| LFX2-50 Series | 50 x 50 | Red/White/IR |
| LFX2-75 Series | 75 x 75 | |
| LFX2-100 Series | 100 x 100 | |
| LFX2-150 Series | 150 x 150 | |
| — | — | — |
| LFX2-200 Series | 200 x 200 | Red/White/IR |

| New products | | |
|---------------------|----------------------------|---------------------------|
| Series | Emitting surface size (mm) | LED color |
| LFX3-25 Series | 25 x 25 | NEW! Red/White/Blue/IR |
| LFX3-50 Series | 50 x 50 | |
| LFX3-75 Series | 75 x 75 | |
| LFX3-100 Series | 100 x 100 | |
| LFX3-150 Series | 150 x 150 | |
| LFX3-200X100 Series | 200 x 100 | |
| LFX3-200 Series | 200 x 200 | |

Line Pattern Lights Are Also Available



We altered the dot printings on the light-guiding diffusion plate surface to a line pattern.

Line Pattern Lights LFX3-PT-A/B Series

| | |
|-----------------------------|---|
| Application | Inspection for bumps on a reflective surface |
| LED color | Red (RD), White (SW), Blue (BL), Infrared (IR) |
| Emitting surface size (mm) | 50 x 50, 75 x 75, 100 x 100, 150 x 150, 200 x 200 |
| Dimensions and other specs. | The same as those of the standard products. |

Imaging example using Line Pattern Lights

Detecting bumps on a metal surface

Inspection object: Metal plate

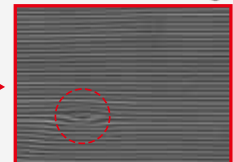


Coaxial Light



Coaxial Lights illuminate the whole surface evenly, making it difficult to detect the bumps.

Line Pattern Light



Line Pattern Lights highlight the bumps as curved lines.

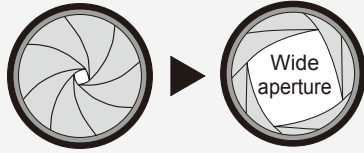
Operating Instructions - For obtaining a perfect image -

Workpiece: Pharmaceutical product (Blister pack)

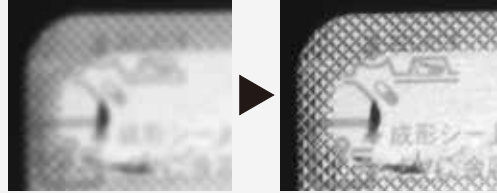


Reducing image unevenness caused by the dot pattern

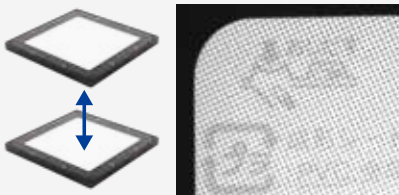
1. Widen the lens aperture slightly more than usual.



2. Focus the lens on the target workpiece.



3. If the dot pattern is visible, adjust the position of the Light Unit.



An example of the dot pattern in an image

4. Finely adjust the light intensity.



Complete!

If there is too much light, increase the camera's shutter speed.

Ambient light may reflect off the Light Unit surface or workpiece surface, affecting the imaging.

To prevent effects from ambient light

- Equip a lens filter to the lens.
- Increase the shutter speed, or slightly increase the light intensity.
- Prevent ambient light from entering with a hood or cover.

Light-weight Compact Design, Space-saving Installation, and Wide Field of View

Imaging example: Printed characters

Workpiece: Medicine (Individual packaging)



Flat Dome Light (LFX3-200BL)



Dome Light + Coaxial Light (HPD2-250BL + LFX3-70BL)



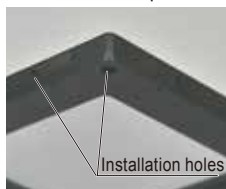
Recreating the effect of Dome Lights with a thin case design

Installation Using Nut Slots

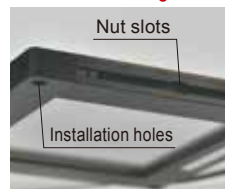
Nut Slots are provided on the sides of the Light Unit for a high degree of freedom in installation to match the environment.

Note: Not applicable for the LFX3-25-series Light Unit.

Conventional product



LFX3-series Light Unit



Insert M3 nuts for nut slots.

Designed to Prevent Falling Screws

No worries of screws loosening and falling.

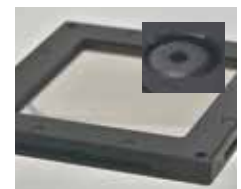
Cover screws are not used on the light projection side of the Light Unit.

Light projection side

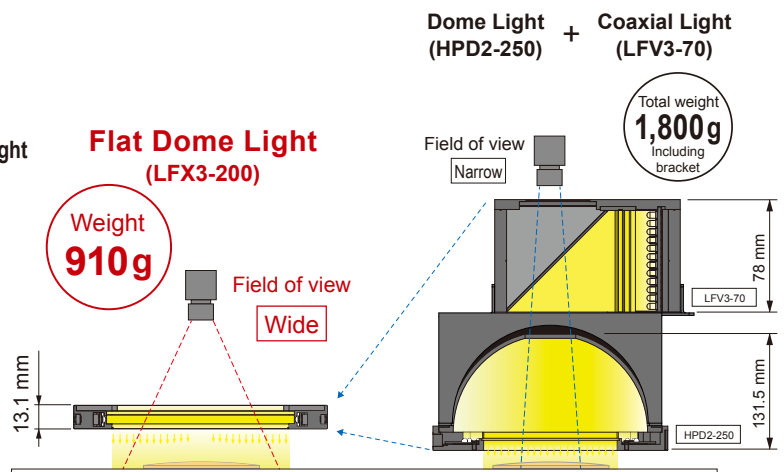


Cover screws are not used.

Camera side

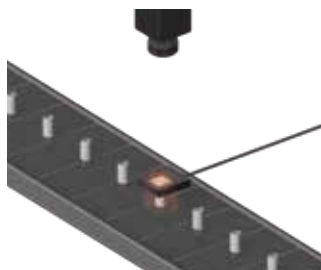


Cover screws are used on this surface.



Electronic Components Industry

Imaging Characters on a Textured Metal Surface



Workpiece



Capacitor

Conventional product

Ring Light (Red)



The surface texture makes it difficult to read the characters clearly.

New product

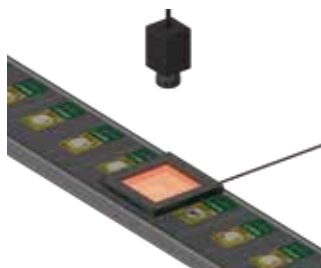
LFX3-25RD (Red)



Effects from the surface texture are suppressed so that the characters stand out clearly.

Electronic Components Industry

Imaging Characters on Button Batteries



Workpiece



Button battery in a retail package

Conventional product

Dome Light (Red)



The textured surface makes it impossible to read the printed characters.

New product

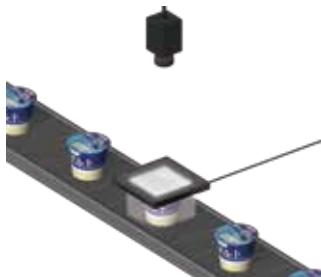
LFX3-100RD (Red)



Effects from the textured surface are suppressed so that the characters stand out clearly.

Food Industry

Imaging the External Appearance of Containers



Workpiece



Food (Yogurt container)

Conventional product

Ring Light (White)



It is difficult to image the surface evenly.

New product

LFX3-100SW (White)



The printed patterns on the surface are clearly captured.

Food Industry

Imaging the Inner Surface of Cans



Workpiece



Can (Inner surface)

Conventional product

Dome Light (Red)



Inner surface of the can is not evenly illuminated.

New product

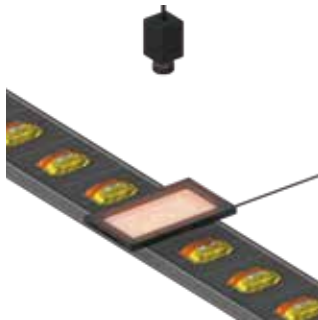
LFX3-200RD (Red)



Inner surface including the bottom of the can is evenly illuminated.

Packaging Industry

Imaging Characters on Packages



Workpiece



Household item (Package)

Conventional product

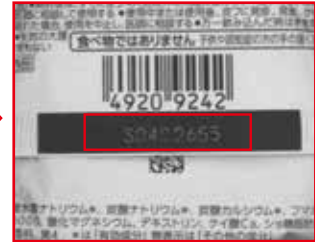
Low-angle Square Light (Red)



It is difficult to read the characters due to the bumps on the sealed part of the package.

New product

LFX3-200X100RD (Red)



Effects from the bumps on the sealed part are suppressed so that the characters stand out clearly.

Packaging Industry

Imaging Shrink Film of Containers



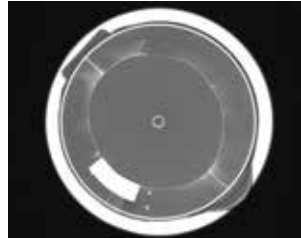
Workpiece



Foodstuff (Plastic container)

Conventional product

Ring Light (Blue)



The shrink film is poorly imaged.

New product

LFX3-100BL (Blue)



The shrink film is clearly imaged.

Can Industry

Imaging the External Appearance of Cans



Workpiece



Can (Top surface)

Conventional product

Flat Dome Light (Blue)



It is difficult to image the texture of the top surface.

New product

LFX3-100IR860 (Infrared)



The printed ink transmits an infrared light so that the texture of the top surface is evenly imaged.

Dirt or dust on the surface of the emitting surface may affect the captured image.

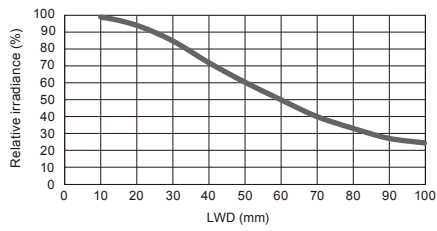
Handle the emitting surface with care. Make sure no dirt, dust, or fingerprints get on the Light Unit.

- Remove dirt and dust by blowing air rather than touching by hand.
- Use a soft, finely woven cloth to wipe away any marks, such as fingerprints.
- Use a soft, finely woven cloth soaked with diluted neutral detergent to remove any heavy dirt.

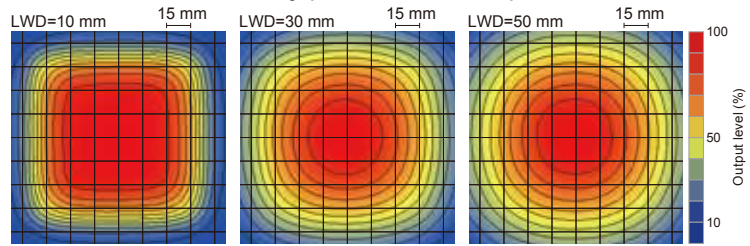
Data (Typical examples)

Light Unit in use: LFX3-100SW

Relative irradiance graph (LWD characteristics)



Uniformity (Relative irradiance)



Note: The data included is for reference only. Results for individual products may vary.

Common Specifications

| | | | | | | |
|-------------------------------|---|---------|------------------|----------|-------------------------------|--|
| LED color | Red | White | Blue NEW! | Infrared | Cable length | 300 mm |
| Correlated color temp. (typ.) | - | 6,800 K | - | - | Operating env. (indoors only) | Temperature: 0 to 40°C, Humidity: 20 to 85%RH (with no condensation) |
| Peak wavelength (typ.) | 632 nm | - | 469 nm | 857 nm | Storage environment | Temperature: -20 to 60°C, Humidity: 20 to 85%RH (with no condensation) |
| Input voltage (max.) | 24 VDC | | | | Cooling method | Natural air-cooling |
| Connector | SM connector (SMR-03V-B) | | | | Light spectrum | |
| Polarity, signal | 1: (+), 2: NC, 3: (-) | | | | | |
| CE marking | Safety standard: Conforms to EN 62471 | | | | | |
| Environmental regulations | RoHS compliant | | | | | |
| Case material | Aluminum alloy, Resin (protective plate, light-guiding diffusion plate) | | | | | |

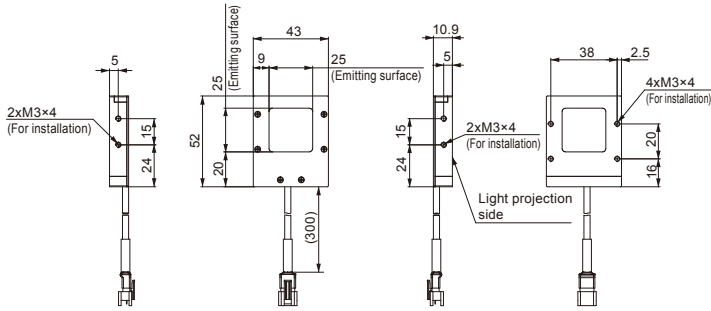
Note: The data included is for reference only. Results for individual products may vary.

Product Lineup

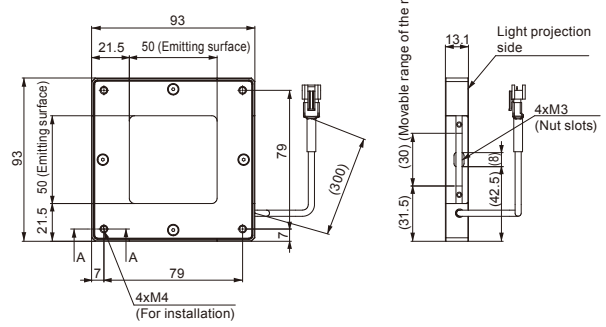
| Model | LED color | Emitting surface size | Power consumption (max.) | Peak wavelength/Correlated color temperature (typ.) | Weight (max.) |
|-------------------|-----------|--------------------------------|--------------------------|---|---------------|
| LFX3-25RD | Red | NEW! 25 mm x 25 mm | 1.6 W | 632 nm | 80 g |
| LFX3-25SW | White | | 1.5 W | 6,800 K | |
| LFX3-25BL | Blue | | 0.8 W | 469 nm | |
| LFX3-25IR860 | Infrared | | 1.4 W | 857 nm | |
| LFX3-50RD | Red | 50 mm x 50 mm | 13 W | 632 nm | 230 g |
| LFX3-50SW | White | | 12 W | 6,800 K | |
| LFX3-50BL | Blue | | 6.1 W | 469 nm | |
| LFX3-50IR860 | Infrared | | 6.6 W | 857 nm | |
| LFX3-75RD | Red | 75 mm x 75 mm | 13 W | 632 nm | 320 g |
| LFX3-75SW | White | | 18 W | 6,800 K | |
| LFX3-75BL | Blue | | 9.1 W | 469 nm | |
| LFX3-75IR860 | Infrared | | 14 W | 857 nm | |
| LFX3-100RD | Red | 100 mm x 100 mm | 19 W | 632 nm | 400 g |
| LFX3-100SW | White | | 23 W | 6,800 K | |
| LFX3-100BL | Blue | | 13 W | 469 nm | |
| LFX3-100IR860 | Infrared | | 14 W | 857 nm | |
| LFX3-150RD | Red | 150 mm x 150 mm | 25 W | 632 nm | 620 g |
| LFX3-150SW | White | | 35 W | 6,800 K | |
| LFX3-150BL | Blue | | 19 W | 469 nm | |
| LFX3-150IR860 | Infrared | | 20 W | 857 nm | |
| LFX3-200X100RD | Red | NEW! 200 mm x 100 mm | 28 W | 632 nm | 620 g |
| LFX3-200X100SW | White | | 35 W | 6,800 K | |
| LFX3-200X100BL | Blue | | 19 W | 469 nm | |
| LFX3-200X100IR860 | Infrared | | 20 W | 857 nm | |
| LFX3-200RD | Red | 200 mm x 200 mm | 37 W | 632 nm | 910 g |
| LFX3-200SW | White | | 46 W | 6,800 K | |
| LFX3-200BL | Blue | | 25 W | 469 nm | |
| LFX3-200IR860 | Infrared | | 27 W | 857 nm | |

Dimensions (mm)

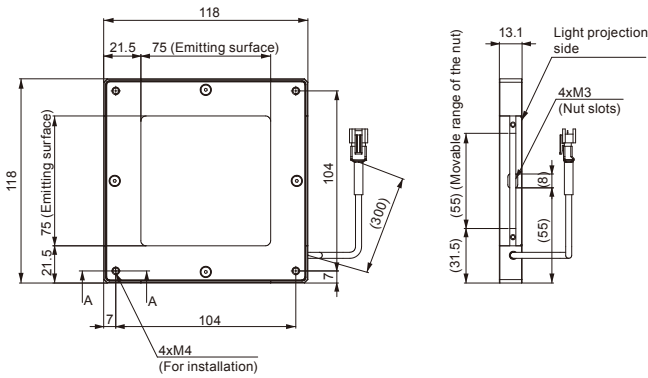
LFX3-25RD/SW/BL/IR860



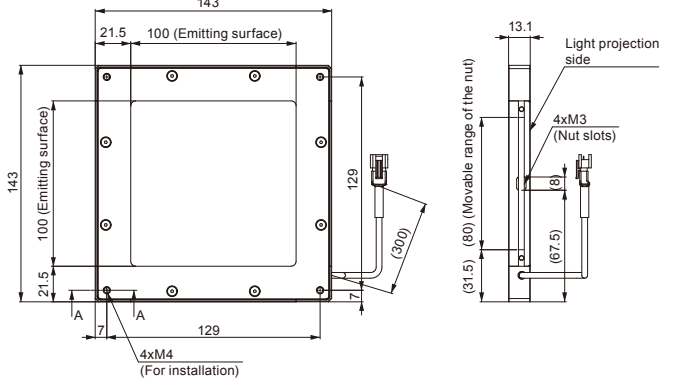
LFX3-50RD/SW/BL/IR860



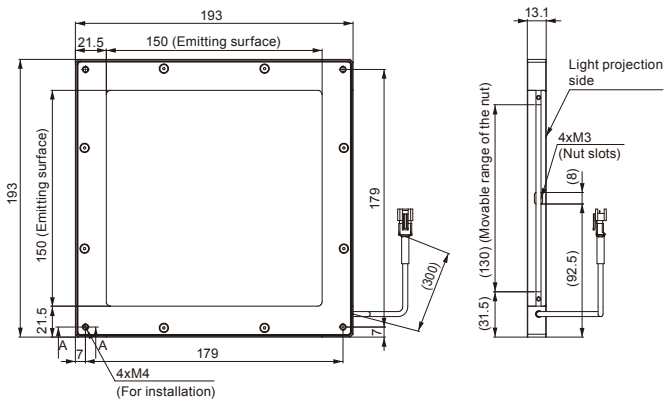
LFX3-75RD/SW/BL/IR860



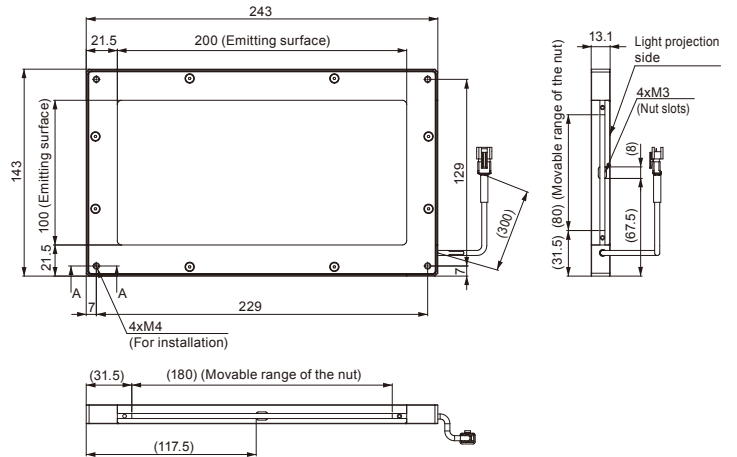
LFX3-100RD/SW/BL/IR860



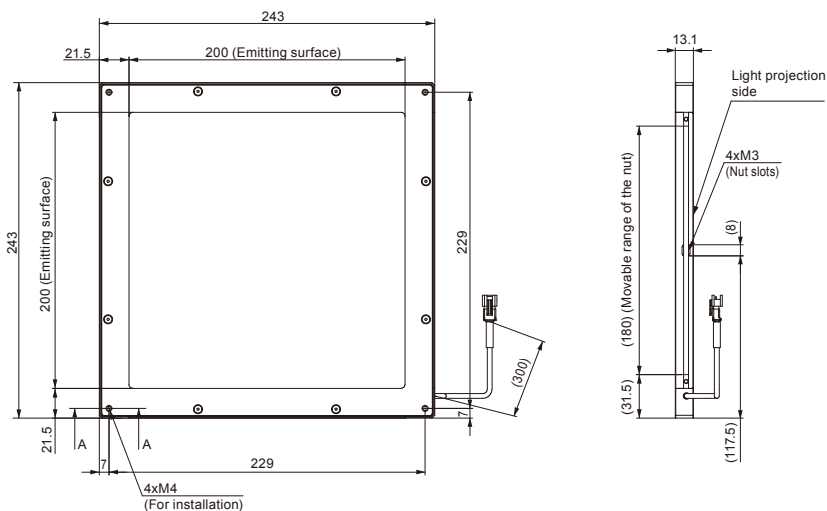
LFX3-150RD/SW/BL/IR860



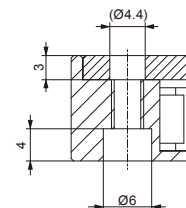
LFX3-200X100RD/SW/BL/IR860



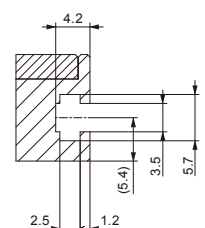
LFX3-200RD/SW/BL/IR860



Detail Diagram for the A-A Surface



Detail Diagram for the M3 Nut Slot



Note: These detail diagrams are not applicable for the LFX3-25-series Light Units.

Optional Accessories

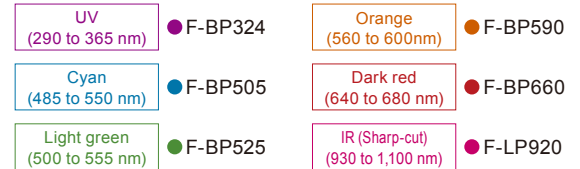
Band-pass Filters

Camera lens filters to transmit light in a specific wavelength range

- Transmission of 90% or more
- Hard-coated filters with superior durability
- Each filter available in 23 sizes
- Total of 230 models



The product lineup also includes the following:



For details, please contact your CCS sales representative.

Sharp-cut Filters

Blocks light in a specific wavelength range

- Each filter available in 7 sizes
- Total of 14 models

R60 series



Blocks wavelengths
of 600 nm and shorter.

R64 series



Blocks wavelengths
of 640 nm and shorter.

We accept custom orders for filter wavelength.
Please feel free to ask your CCS sales representative for more details.

- For using infrared products

CAUTION

- Do not expose human eyes to infrared radiation. Also, make known to all personnel concerned the risk of infrared radiation.
- When you see the LEDs of the product, you may find some LEDs lit and others do not. This is because irradiation from the LEDs sometimes include visible light. The LED emits infrared radiation even when it seems not to light, so that do not look at the radiating surface of the product directly by the naked eye. To check out the lighting failure of the LED, use a camera to do it by indirect means. You can also check it out through an LCD display of the general-purpose digital camera or mobile phone.

- "CCS", "LIGHTING SOLUTION", and "LFX" are registered trademarks or trademarks of CCS Inc.

CAUTION

- To ensure proper and safe use of the product, please read the Instruction Guide completely before using the product.
- The design and specifications of this product are subject to change without notification for product improvement.
- The workpiece imaging examples included in this pamphlet are intended to serve only as references to help you select a suitable Light Unit. Please verify the functionality and conditions required for your particular application before you make a final selection. The sample workpieces used in this pamphlet have been processed specifically for sample imaging. They are not intended to represent product quality and performance.



CCS Inc.

Headquarters

Shimodachiuri-agaru, karasuma-dori, kamigyo-ku,
Kyoto 602-8011 JAPAN
TEL : +81-75-415-8284 / FAX : +81-75-415-8278
URL : <http://www.ccs-grp.com/>
E-mail : sales@ccs-inc.co.jp

CCS Asia PTE LTD

63 Hillview Avenue #07-10, Lam Soon Industrial
Building, Singapore 669569
TEL : +65-6769-1669 / FAX : +65-6769-3422
URL : <http://www.ccs-asia.com.sg/>
Email : sales@ccs-asia.com.sg

CCS America, Inc

5 Burlington Woods Suite 204, Burlington, MA 01803 USA
TEL : +1-781-272-6900 / FAX : +1-781-272-6902
URL : <http://www.ccsamerica.com/>
Email : info@ccsamerica.com

CCS Inc. Shanghai Office

Room 308B-309, CIMIC Tower No.1090 Century Avenue,
Pu Dong New Area, Shanghai 200120, P.R. China
TEL : +86-21-5835-8728 / FAX : +86-21-5835-8928
Email : ccschina@ccs-inc.co.jp

CCS Europe NV/SA

Bergensesteenweg 423, Bus 13,
1600 Sint-Pieters-Leeuw, Belgium
TEL : +32-(0)2-333-0080 / FAX : +32-(0)2-333-0081
Email : info@ccseu.com

CCS Inc. Shenzhen office

17B, China Economic Trade Building, 7Rd Zizhu, Zhuzilin,
Futian District, Shenzhen 518040 P.R.China
TEL : +86-755-8279-0477 / FAX : +86-755-8279-0478
Email : ccschina@ccs-inc.co.jp